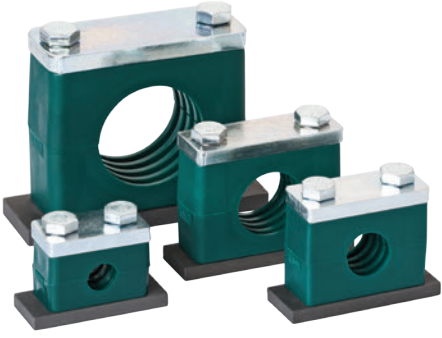


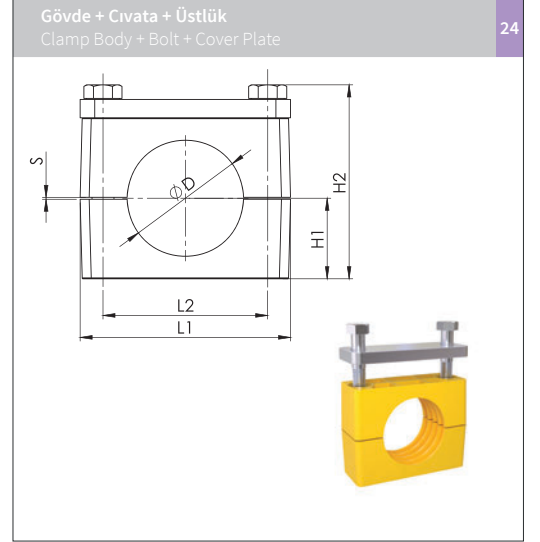


Hidrolik Boru Kelepçeleri
Hydraulic Pipe Clamps



Ağır Seri / Heavy Series

Metal + Kaplama Tipi		Gövde Malzemesi	
Metal + Surface Finishing		Clamp Body Material	
0	Kaplamasız / Uncoated	A	Alüminyum / Aluminum
1	Fosfat / Phosphated / Fe/Znph	N	Polyamid / Polyamide
3	Galvaniz / Galvanized / Fe/Zn 8C Cr3-B	T	TPE
4	CrNi 304 / AISI 304	P	Polipropilen / Polypropylene
6	CrNi 316 / AISI 316		
9	Çinko Nikel / Zinc Nickel / Fe/ZnNi		



Farklı malzeme talepleriniz için lütfen LMC Makina'ya danışınız.

For different material request please consult LMC Makina.

Metal + Kaplama Tipi	Gövde Malzemesi	Gövde Renk	Grup	Ölçü
Metal + Surface Finishing	Clamp Body Material	Clamp Body Colour	Group	Size
C M 4 0 M 1 3 P 1 S A 1 X X X . X				

Metal + Kaplama Tipi	Gövde Malzemesi	Gövde Renk	Grup	Ölçü
Metal + Surface Finishing	Clamp Body Material	Clamp Body Colour	Group	Size
C D 6 8 M 1 3 P 1 S A 1 X X X . X				

Grup	Dış Çap (ØD)	Anma Çapı (R) Boru Diş	Dış Çap (ØD)
Group	O.D. of Pipe / Tube/Hose mm	Nominal Bore Pipe Inch	O.D. of Pipe / Tube/Hose inch
A1	6		
	6.4		1/4
	8		5/16
	9.5		3/8
	10	R 1/8	
	12		
	12.7		1/2
	13.5	R 1/4	
	14		
	15		
16		5/8	
17.2	R 3/8		
18			
A2	19		3/4
	20		
	21.3	R 1/2	
	22		7/8
	25		1
	25.4		
	26.9	R 3/4	
	28		
30			
A3	30		
	32		1 1/4
	33.7	R 1	
	35		
	38		1 1/2
	40		
42	R 1 1/4		
A4	38		1 1/2
	42		
	44.5		1 3/4
	48.3	R 1 1/2	
	50.8		2
	55		
	57		2 1/4
	60.3	R 2	
	63.5		2 1/2
	65		
70		2 3/4	

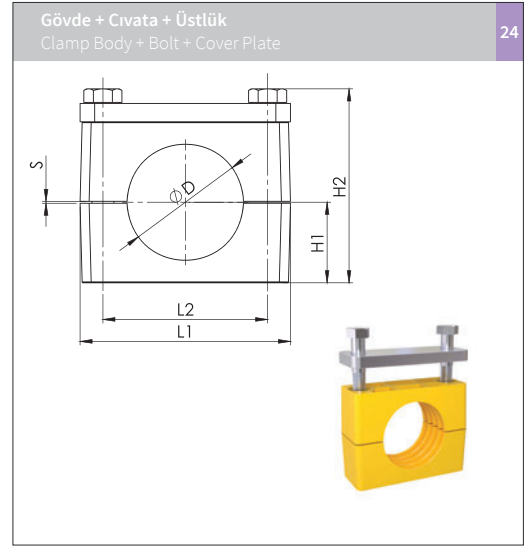
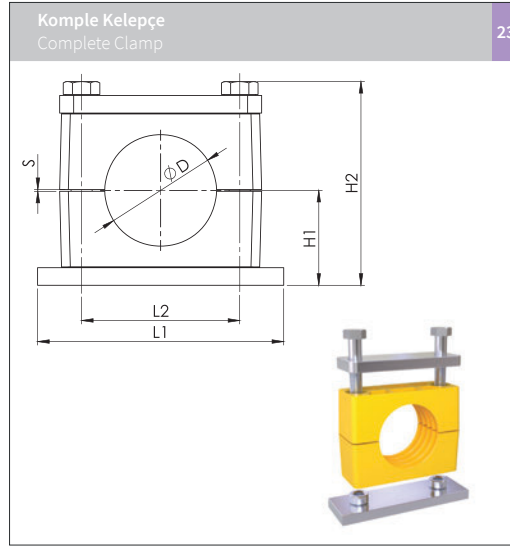
Ölçü Tablosu						Sipariş Kodu	
Dimension Table						Order Code	
L1	L2	H1	H2	S min.	Genişlik		
					Width		
						CM40M13P1SA1006.0	
						CM40M13P1SA1006.4	
						CM40M13P1SA1008.0	
						CM40M13P1SA1009.5	
						CM40M13P1SA1010.0	
						CM40M13P1SA1012.0	
74	33	24	55	0.6	30	CM40M13P1SA1012.7	
						CM40M13P1SA1013.5	
						CM40M13P1SA1014.0	
						CM40M13P1SA1015.0	
						CM40M13P1SA1016.0	
						CM40M13P1SA1017.2	
						CM40M13P1SA1018.0	
						CM40M13P1SA2019.0	
						CM40M13P1SA2020.0	
						CM40M13P1SA2021.3	
						CM40M13P1SA2022.0	
86	45	32	71	0.6	30	CM40M13P1SA2025.0	
						CM40M13P1SA2025.4	
						CM40M13P1SA2026.9	
						CM40M13P1SA2028.0	
						CM40M13P1SA2030.0	
						CM40M13P1SA3030.0	
						CM40M13P1SA3032.0	
						CM40M13P1SA3033.7	
100	60	38	83	0.6	30	CM40M13P1SA3035.0	
						CM40M13P1SA3038.0	
						CM40M13P1SA3040.0	
						CM40M13P1SA3042.0	
						CM40M13P1SA4038.0	
						CM40M13P1SA4042.0	
						CM40M13P1SA4044.5	
						CM40M13P1SA4048.3	
						CM40M13P1SA4050.8	
140	90	54.5	117	2	45	CM40M13P1SA4055.0	
						CM40M13P1SA4057.0	
						CM40M13P1SA4060.3	
						CM40M13P1SA4063.5	
						CM40M13P1SA4065.0	
						CM40M13P1SA4070.0	

Ölçü Tablosu						Sipariş Kodu	
Dimension Table						Order Code	
L1	L2	H1	H2	S min.	Genişlik		
					Width		
						CD68M13P1SA1006.0	
						CD68M13P1SA1006.4	
						CD68M13P1SA1008.0	
						CD68M13P1SA1009.5	
						CD68M13P1SA1010.0	
						CD68M13P1SA1012.0	
55	33	16	47	0.6	30	CD68M13P1SA1012.7	
						CD68M13P1SA1013.5	
						CD68M13P1SA1014.0	
						CD68M13P1SA1015.0	
						CD68M13P1SA1016.0	
						CD68M13P1SA1017.2	
						CD68M13P1SA1018.0	
						CD68M13P1SA2019.0	
						CD68M13P1SA2020.0	
						CD68M13P1SA2021.3	
						CD68M13P1SA2022.0	
70	45	24	63	0.6	30	CD68M13P1SA2025.0	
						CD68M13P1SA2025.4	
						CD68M13P1SA2026.9	
						CD68M13P1SA2028.0	
						CD68M13P1SA2030.0	
						CD68M13P1SA3030.0	
						CD68M13P1SA3032.0	
						CD68M13P1SA3033.7	
85	60	30	75	0.6	30	CD68M13P1SA3035.0	
						CD68M13P1SA3038.0	
						CD68M13P1SA3040.0	
						CD68M13P1SA3042.0	
						CD68M13P1SA4038.0	
						CD68M13P1SA4042.0	
						CD68M13P1SA4044.5	
						CD68M13P1SA4048.3	
						CD68M13P1SA4050.8	
115	90	44.5	107	2	45	CD68M13P1SA4055.0	
						CD68M13P1SA4057.0	
						CD68M13P1SA4060.3	
						CD68M13P1SA4063.5	
						CD68M13P1SA4065.0	
						CD68M13P1SA4070.0	

Metal + Kaplama Tipi		Gövde Malzemesi	
Metal + Surface Finishing		Clamp Body Material	
0	Kaplanasız / Uncoated	A	Alüminyum / Aluminum
1	Fosfat / Phosphated / Fe/Znph	N	Polyamid / Polyamide
3	Galvaniz / Galvanized / Fe/Zn 8C Cr3-B	T	TPE
4	CrNi 304 AISI 304	P	Polipropilen / Polypropylene
6	CrNi 316 AISI 316		
9	Çinko Nikel / Zinc Nickel / Fe/ZnNi		

Farklı malzeme talepleriniz için lütfen LMC Makina'ya danışınız.

For different material request please consult LMC Makina.



C	M	4	0	M	1	3	P	1	S	A	1	X	X	X	.	X

Metal + Kaplama Tipi
Metal + Surface Finishing
 Gövde Malzemesi
Clamp Body Material
 Gövde Renk
Clamp Body Colour
 Grup
Group
 Ölçü
Size

C	D	6	8	M	1	3	P	1	S	A	1	X	X	X	.	X

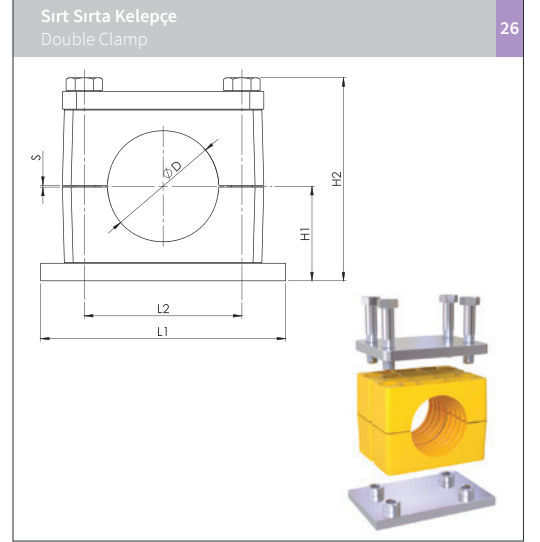
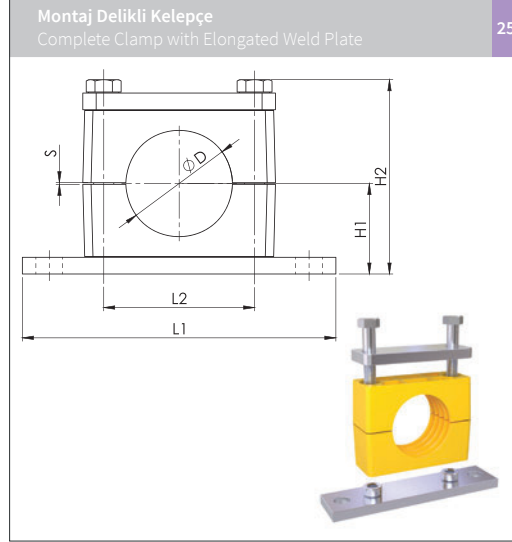
Metal + Kaplama Tipi
Metal + Surface Finishing
 Gövde Malzemesi
Clamp Body Material
 Gövde Renk
Clamp Body Colour
 Grup
Group
 Ölçü
Size

Grup	Diş Çap (ØD)	Anma Çapı (R) Boru Diş	Diş Çap (ØD)
Group	O.D. of Pipe / Tube/Hose mm	Nominal Bore Pipe inch	O.D. of Pipe / Tube/Hose inch
A5	65		
	70		
	73	R 2 1/2 <small>except only DIN EN 10220</small>	2 7/8
	76.1	R 2 1/2 <small>only DIN EN 10220</small>	3
	80		
	82.5		3 1/4
A6	88.9	R 3	3 1/2
	100		
	101.6	R 3 1/2	
	108		4 1/4
	114.3	R 4	
	127		5
A7	133		5 1/4
	139.7	R 5	
	152.4		6
	159		6 1/4
	165		6 1/2
	168.3	R 6	
A8	168.3	R 6	
	177.8		7
	193.7		7 5/8
	216		8 1/2
	219.1	R 8	
	219.1	R 8	
A9	244.5		
	273	R 10	
	323.9	R 12	
	355.6	R 14	
A10	406.4	R 16	

Ölçü Tablosu							Sipariş Kodu
Dimension Table							Order Code
L1	L2	H1	H2	S min.	Genişlik		
					Width		
180	122	70	150	2	60	CM40M13P1SA5065.0	
						CM40M13P1SA5070.0	
						CM40M13P1SA5073.0	
						CM40M13P1SA5076.1	
						CM40M13P1SA5080.0	
						CM40M13P1SA5082.5	
226	168	99	211	2	80	CM40M13P1SA6088.9	
						CM40M13P1SA6100.0	
						CM40M13P1SA6101.6	
						CM40M13P1SA6108.0	
						CM40M13P1SA6114.3	
						CM40M13P1SA6127.0	
270	205	115	245	3	90	CM40M13P1SA7133.0	
						CM40M13P1SA7139.7	
						CM40M13P1SA7152.4	
						CM40M13P1SA7159.0	
						CM40M13P1SA7165.0	
						CM40M13P1SA7168.3	
340	265	160	339	3	120	CM40M13P1SA8168.3	
						CM40M13P1SA8177.8	
						CM40M13P1SA8193.7	
						CM40M13P1SA8216.0	
						CM40M13P1SA8219.1	
						CM40M13P1SA9219.1	
520	395	235	489	8	160	CM40M13P1SA9244.5	
						CM40M13P1SA9273.0	
						CM40M13P1SA9323.9	
						CM40M13P1SA0355.6	
680	534	295	609	18	180	CM40M13P1SA0406.4	

Ölçü Tablosu							Sipariş Kodu
Dimension Table							Order Code
L1	L2	H1	H2	S	Genişlik		
					Width		
154	122	60	140	2	60	CD68M13P1SA5065.0	
						CD68M13P1SA5070.0	
						CD68M13P1SA5073.0	
						CD68M13P1SA5076.1	
						CD68M13P1SA5080.0	
						CD68M13P1SA5082.5	
206	168	84	196	2	80	CD68M13P1SA6088.9	
						CD68M13P1SA6100.0	
						CD68M13P1SA6101.6	
						CD68M13P1SA6108.0	
						CD68M13P1SA6114.3	
						CD68M13P1SA6127.0	
251	205	100	230	3	90	CD68M13P1SA7133.0	
						CD68M13P1SA7139.7	
						CD68M13P1SA7152.4	
						CD68M13P1SA7159.0	
						CD68M13P1SA7165.0	
						CD68M13P1SA7168.3	
335	265	135	314	3	120	CD68M13P1SA8168.3	
						CD68M13P1SA8177.8	
						CD68M13P1SA8193.7	
						CD68M13P1SA8216.0	
						CD68M13P1SA8219.0	
						CD68M13P1SA9219.0	
470	395	205	459	8	160	CD68M13P1SA9244.5	
						CD68M13P1SA9273.0	
						CD68M13P1SA9323.9	
						CD68M13P1SA0355.6	
630	534	265	579	18	180	CD68M13P1SA0406.4	

Metal + Kaplama Tipi		Gövde Malzemesi	
Metal + Surface Finishing		Clamp Body Material	
0	Kaplamasız / Uncoated	A	Alüminyum / Aluminum
1	Fosfat / Phosphated / Fe/Znph	N	Polyamid / Polyamide
3	Galvaniz / Galvanized / Fe/Zn 8C Cr3-B	T	TPE
4	CrNi 304 / AISI 304	P	Polipropilen / Polypropylene
6	CrNi 316 / AISI 316		
9	Çinko Nikel / Zinc Nickel / Fe/ZnNi		



Farklı malzeme talepleriniz için lütfen LMC Makina'ya danışınız.

For different material request please consult LMC Makina.

CM41M13P1SA1XX.X

Metal + Kaplama Tipi
Metal + Surface Finishing
 Gövde Malzemesi
Clamp Body Material
 Gövde Renk
Clamp Body Colour
 Grup
Group
 Ölçü
Size

CM60M13P1SA1XX.X

Metal + Kaplama Tipi
Metal + Surface Finishing
 Gövde Malzemesi
Clamp Body Material
 Gövde Renk
Clamp Body Colour
 Grup
Group
 Ölçü
Size

Grup	Dış Çap (ØD)	Anma Çapı (R) Boru Diş	Dış Çap (ØD)
Group	O.D. of Pipe / Tube/Hose mm	Nominal Bore Pipe Inch	O.D. of Pipe / Tube/Hose inch
A1	6		
	6.4		1/4
	8		5/16
	9.5		3/8
	10	R 1/8	
	12		1/2
	12.7	R 1/4	
	13.5		5/8
	14		
	15		
16		5/8	
17.2	R 3/8		
18			
A2	19		3/4
	20		
	21.3	R 1/2	
	22		7/8
	25		1
	25.4		
	26.9	R 3/4	
	28		
30			
A3	30		1 1/4
	32		
	33.7	R 1	
	35		1 1/2
	38		
	40		
	42	R 1 1/4	
A4	38		1 1/2
	42		
	44.5		1 3/4
	48.3	R 1 1/2	
	50.8		2
	55		
	57		2 1/4
	60.3	R 2	
	63.5		2 1/2
	65		
	70		2 3/4

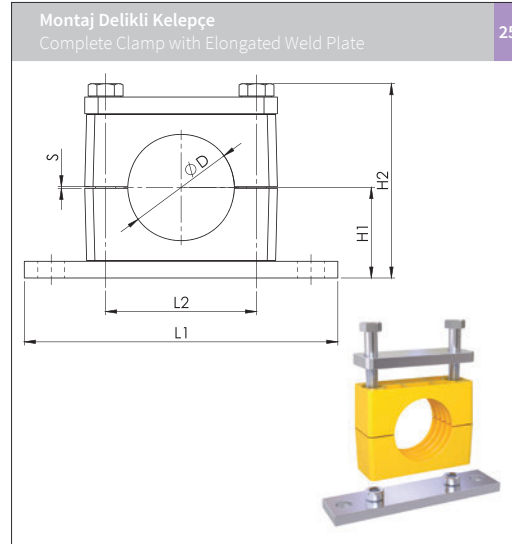
Ölçü Tablosu						Sipariş Kodu							
Dimension Table						Order Code							
L1	L2	H1	H2	S min.	Genişlik Width								
113	33	24	55	0.6	30	CM41M13P1SA1006.0	CM41M13P1SA1006.4						
						CM41M13P1SA1008.0	CM41M13P1SA1009.5						
						CM41M13P1SA1010.0	CM41M13P1SA1012.0						
						CM41M13P1SA1012.7	CM41M13P1SA1013.5						
						CM41M13P1SA1014.0	CM41M13P1SA1015.0						
						CM41M13P1SA1016.0	CM41M13P1SA1017.2						
						CM41M13P1SA1018.0							
						125	45	32	71	0.6	30	CM41M13P1SA2019.0	CM41M13P1SA2020.0
												CM41M13P1SA2021.3	CM41M13P1SA2022.0
												CM41M13P1SA2025.0	CM41M13P1SA2025.4
CM41M13P1SA2026.9	CM41M13P1SA2028.0												
CM41M13P1SA2030.0													
140	60	38	83	0.6	30							CM41M13P1SA3030.0	CM41M13P1SA3032.0
												CM41M13P1SA3033.7	CM41M13P1SA3035.0
												CM41M13P1SA3038.0	CM41M13P1SA3040.0
						CM41M13P1SA3042.0							
						187	90	54.5	117	2	45	CM41M13P1SA4038.0	CM41M13P1SA4042.0
												CM41M13P1SA4044.5	CM41M13P1SA4048.3
												CM41M13P1SA4050.8	CM41M13P1SA4055.0
CM41M13P1SA4057.0	CM41M13P1SA4060.3												
CM41M13P1SA4063.5	CM41M13P1SA4065.0												
CM41M13P1SA4070.0													

Ölçü Tablosu						Sipariş Kodu							
Dimension Table						Order Code							
L1	L2	H1	H2	S min.	Genişlik Width								
74	33	24	55	0.6	60	CM60M13P1SA1006.0	CM60M13P1SA1006.4						
						CM60M13P1SA1008.0	CM60M13P1SA1009.5						
						CM60M13P1SA1010.0	CM60M13P1SA1012.0						
						CM60M13P1SA1012.7	CM60M13P1SA1013.5						
						CM60M13P1SA1014.0	CM60M13P1SA1015.0						
						CM60M13P1SA1016.0	CM60M13P1SA1017.2						
						CM60M13P1SA1018.0							
						86	45	32	71	0.6	60	CM60M13P1SA2019.0	CM60M13P1SA2020.0
												CM60M13P1SA2021.3	CM60M13P1SA2022.0
												CM60M13P1SA2025.0	CM60M13P1SA2025.4
CM60M13P1SA2026.9	CM60M13P1SA2028.0												
CM60M13P1SA2030.0													
100	60	38	83	0.6	60							CM60M13P1SA3030.0	CM60M13P1SA3032.0
												CM60M13P1SA3033.7	CM60M13P1SA3035.0
												CM60M13P1SA3038.0	CM60M13P1SA3040.0
						CM60M13P1SA3042.0							
						140	90	54.5	117	2	90	CM60M13P1SA4038.0	CM60M13P1SA4042.0
												CM60M13P1SA4044.5	CM60M13P1SA4048.3
												CM60M13P1SA4050.8	CM60M13P1SA4055.0
CM60M13P1SA4057.0	CM60M13P1SA4060.3												
CM60M13P1SA4063.5	CM60M13P1SA4065.0												
CM60M13P1SA4070.0													

Metal + Kaplama Tipi		Gövde Malzemesi	
Metal + Surface Finishing		Clamp Body Material	
0	Kaplamasız / Uncoated	A	Alüminyum / Aluminum
1	Fosfat / Phosphated / Fe/Znph	N	Polyamid / Polyamide
3	Galvaniz / Galvanized / Fe/Zn 8C Cr3-B	T	TPE
4	CrNi 304 AISI 304	P	Polipropilen / Polypropylene
6	CrNi 316 AISI 316		
9	Çinko Nikel / Zinc Nickel / Fe/ZnNi		

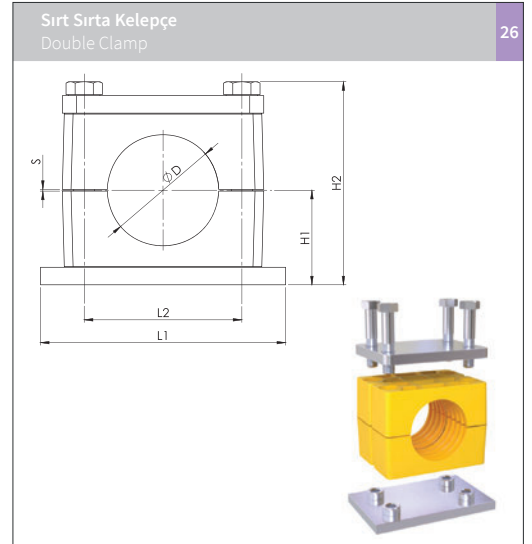
Farklı malzeme talepleriniz için lütfen LMC Makina'ya danışınız.

For different material request please consult LMC Makina.



C	M	4	1	M	1	3	P	1	S	A	1	X	X	X	.	X

Metal + Kaplama Tipi
Metal + Surface Finishing
 Gövde Malzemesi
Clamp Body Material
 Gövde Renk
Clamp Body Colour
 Grup
Group
 Ölçü
Size



C	M	6	0	M	1	3	P	1	S	A	1	X	X	X	.	X

Metal + Kaplama Tipi
Metal + Surface Finishing
 Gövde Malzemesi
Clamp Body Material
 Gövde Renk
Clamp Body Colour
 Grup
Group
 Ölçü
Size

Grup	Diş Çap (ØD)	Anma Çapı (R) Boru Diş	Diş Çap (ØD)
Group	O.D. of Pipe / Tube / Hose mm	Nominal Bore Pipe inch	O.D. of Pipe / Tube / Hose inch
A5	65		
	70		
	73	R 2 1/2 <small>except DIN EN 10220 only</small>	2 7/8
	76.1	R 2 1/2 <small>only DIN EN 10220</small>	3
	80		
	82.5		3 1/4
A6	88.9	R 3	3 1/2
	88.9	R 3	3 1/2
	100		
	101.6	R 3 1/2	
	108		4 1/4
	114.3	R 4	5
A7	127		5 1/4
	133		
	139.7	R 5	
	152.4		6
	159		6 1/4
	165		6 1/2
A8	168.3	R 6	
	168.3	R 6	
	177.8		7
	193.7		7 5/8
	216		8 1/2
	219.1	R 8	
A9	219.1	R 8	
	244.5		
	273	R 10	
	323.9	R 12	
A10	355.6	R 14	
	406.4	R 16	

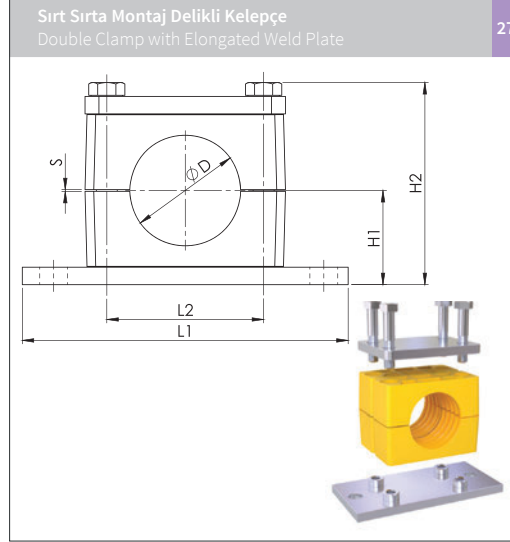
Ölçü Tablosu							Sipariş Kodu	
Dimension Table							Order Code	
L1	L2	H1	H2	S min.	Genişlik Width			
238	122	70	150	2	60	CM41M13P1SA5065.0		
						CM41M13P1SA5070.0		
						CM41M13P1SA5073.0		
						CM41M13P1SA5076.1		
						CM41M13P1SA5080.0		
						CM41M13P1SA5082.5		
309	168	99	211	2	80	CM41M13P1SA5088.9		
						CM41M13P1SA6088.9		
						CM41M13P1SA6100.0		
						CM41M13P1SA6101.6		
						CM41M13P1SA6108.0		
						CM41M13P1SA6114.3		
370	205	115	245	3	90	CM41M13P1SA6127.0		
						CM41M13P1SA6133.0		
						CM41M13P1SA7133.0		
						CM41M13P1SA7139.7		
						CM41M13P1SA7152.4		
						CM41M13P1SA7159.0		
440	265	160	339	3	120	CM41M13P1SA7165.0		
						CM41M13P1SA7168.3		
						CM41M13P1SA8168.3		
						CM41M13P1SA8177.8		
						CM41M13P1SA8193.7		
						CM41M13P1SA8216.0		
590	395	235	489	8	160	CM41M13P1SA8219.1		
						CM41M13P1SA9219.1		
						CM41M13P1SA9244.5		
						CM41M13P1SA9273.0		
750	534	295	609	18	180	CM41M13P1SA9323.9		
						CM41M13P1SA0355.6		
CM41M13P1SA0406.4								

Ölçü Tablosu							Sipariş Kodu	
Dimension Table							Order Code	
L1	L2	H1	H2	S min.	Genişlik Width			
180	122	70	150	2	120	CM60M13P1SA5065.0		
						CM60M13P1SA5070.0		
						CM60M13P1SA5073.0		
						CM60M13P1SA5076.1		
						CM60M13P1SA5080.0		
						CM60M13P1SA5082.5		
226	168	99	211	2	160	CM60M13P1SA5088.9		
						CM60M13P1SA6088.9		
						CM60M13P1SA6100.0		
						CM60M13P1SA6101.6		
						CM60M13P1SA6108.0		
						CM60M13P1SA6114.3		
270	205	115	245	3	182	CM60M13P1SA6127.0		
						CM60M13P1SA6133.0		
						CM60M13P1SA7133.0		
						CM60M13P1SA7139.7		
						CM60M13P1SA7152.4		
						CM60M13P1SA7159.0		
340	265	160	339	3	240	CM60M13P1SA7165.0		
						CM60M13P1SA7168.3		
						CM60M13P1SA8168.3		
						CM60M13P1SA8177.8		
						CM60M13P1SA8193.7		
						CM60M13P1SA8216.0		
520	395	235	489	8	324	CM60M13P1SA8219.1		
						CM60M13P1SA9219.1		
						CM60M13P1SA9244.5		
						CM60M13P1SA9273.0		
680	534	295	609	18	364	CM60M13P1SA9323.9		
						CM60M13P1SA0355.6		
CM60M13P1SA0406.4								

Metal + Kaplama Tipi		Gövde Malzemesi	
Metal + Surface Finishing		Clamp Body Material	
0	Kaplamasız / Uncoated	A	Alüminyum / Aluminum
1	Fosfat / Phosphated / Fe/Znph	N	Polyamid / Polyamide
3	Galvaniz / Galvanized / Fe/Zn 8C Cr3-B	T	TPE
4	CrNi 304 / AISI 304	P	Polipropilen / Polypropylene
6	CrNi 316 / AISI 316		
9	Çinko Nikel / Zinc Nickel / Fe/ZnNi		

Farklı malzeme talepleriniz için lütfen LMC Makina'ya danışınız.

For different material request please consult LMC Makina.



CM	6	1	M	1	3	P	1	S	A	1	X	X	X	.	X

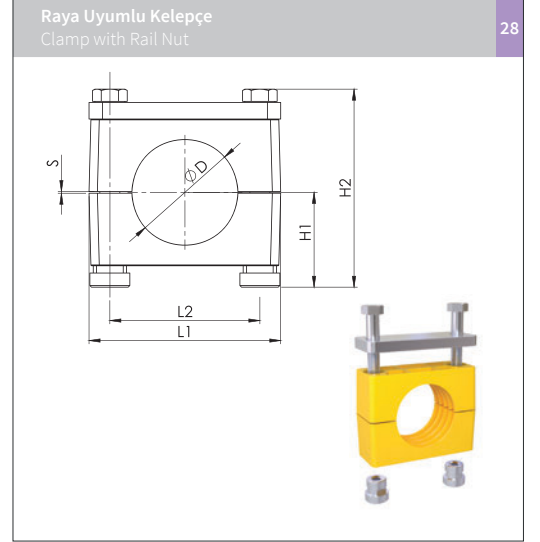
Metal + Kaplama Tipi
Metal + Surface Finishing

Gövde Malzemesi
Clamp Body Material

Gövde Renk
Clamp Body Colour

Grup
Group

Ölçü
Size



CD	7	0	M	1	3	P	1	S	A	1	X	X	X	.	X

Metal + Kaplama Tipi
Metal + Surface Finishing

Gövde Malzemesi
Clamp Body Material

Gövde Renk
Clamp Body Colour

Grup
Group

Ölçü
Size

Grup	Dış Çap (ØD)	Anma Çapı (R) Boru Diş	Dış Çap (ØD)
Group	O.D. of Pipe / Tube/Hose mm	Nominal Bore Pipe Inch	O.D. of Pipe / Tube/Hose inch
A1	6		
	6.4		1/4
	8		5/16
	9.5		3/8
	10	R 1/8	
	12		
	12.7		1/2
	13.5	R 1/4	
	14		
	15		
A2	16		5/8
	17.2	R 3/8	
	18		
	19		3/4
	20		
	21.3	R 1/2	
	22		7/8
A3	25		1
	25.4		
	26.9	R 3/4	
	28		
	30		
	30		1 1/4
	32	R 1	
	33.7		
A4	35		1 1/2
	38		
	40		
	42	R 1 1/4	
	38		1 1/2
	42		
	44.5		1 3/4
	48.3	R 1 1/2	
	50.8		2
	55		
A4	57		2 1/4
	60.3	R 2	
	63.5		2 1/2
	65		
	70		2 3/4

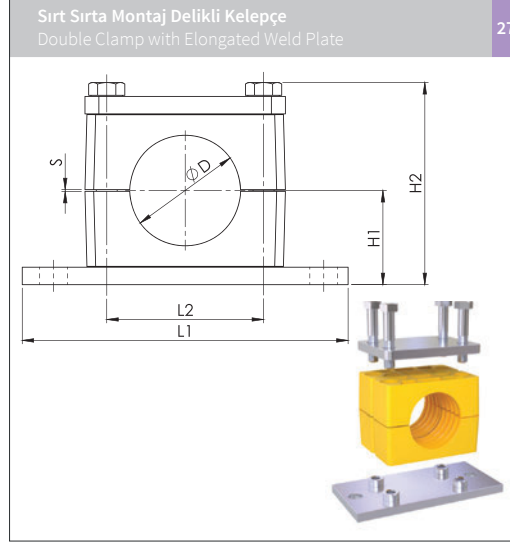
Ölçü Tablosu						Sipariş Kodu							
Dimension Table						Order Code							
L1	L2	H1	H2	S min.	Genişlik Width								
113	33	24	55	0.6	60	CM61M13P1SA1006.0	CM61M13P1SA1006.4						
						CM61M13P1SA1008.0	CM61M13P1SA1009.5						
						CM61M13P1SA1010.0	CM61M13P1SA1010.0						
						CM61M13P1SA1012.0	CM61M13P1SA1012.7						
						CM61M13P1SA1013.5	CM61M13P1SA1013.5						
						CM61M13P1SA1014.0	CM61M13P1SA1015.0						
						CM61M13P1SA1016.0	CM61M13P1SA1017.2						
						CM61M13P1SA1018.0	CM61M13P1SA1018.0						
						125	45	32	71	0.6	60	CM61M13P1SA2019.0	CM61M13P1SA2020.0
												CM61M13P1SA2021.3	CM61M13P1SA2022.0
CM61M13P1SA2025.0	CM61M13P1SA2025.4												
CM61M13P1SA2026.9	CM61M13P1SA2028.0												
CM61M13P1SA2030.0	CM61M13P1SA3030.0												
CM61M13P1SA3032.0	CM61M13P1SA3033.7												
CM61M13P1SA3035.0	CM61M13P1SA3038.0												
CM61M13P1SA3040.0	CM61M13P1SA3042.0												
140	60	38	83	0.6	60	CM61M13P1SA4038.0	CM61M13P1SA4042.0						
						CM61M13P1SA4044.5	CM61M13P1SA4048.3						
						CM61M13P1SA4050.8	CM61M13P1SA4055.0						
						CM61M13P1SA4057.0	CM61M13P1SA4060.3						
						CM61M13P1SA4063.5	CM61M13P1SA4065.0						
						CM61M13P1SA4070.0							

Ölçü Tablosu						Sipariş Kodu							
Dimension Table						Order Code							
L1	L2	H1	H2	S min.	Genişlik Width								
55	33	28.5	59.5	0.6	30	CD70M13P1SA1006.0	CD70M13P1SA1006.4						
						CD70M13P1SA1008.0	CD70M13P1SA1009.5						
						CD70M13P1SA1010.0	CD70M13P1SA1010.0						
						CD70M13P1SA1012.0	CD70M13P1SA1012.7						
						CD70M13P1SA1013.5	CD70M13P1SA1014.0						
						CD70M13P1SA1015.0	CD70M13P1SA1016.0						
						CD70M13P1SA1017.2	CD70M13P1SA1018.0						
						70	45	36.5	75.5	0.6	30	CD70M13P1SA2019.0	CD70M13P1SA2020.0
												CD70M13P1SA2021.3	CD70M13P1SA2022.0
												CD70M13P1SA2025.0	CD70M13P1SA2025.4
CD70M13P1SA2026.9	CD70M13P1SA2028.0												
CD70M13P1SA2030.0	CD70M13P1SA3030.0												
CD70M13P1SA3032.0	CD70M13P1SA3033.7												
CD70M13P1SA3035.0	CD70M13P1SA3038.0												
CD70M13P1SA3040.0	CD70M13P1SA3042.0												
85	60	42.5	87.5	0.6	30	CD70M13P1SA4038.0	CD70M13P1SA4042.0						
						CD70M13P1SA4044.5	CD70M13P1SA4048.3						
						CD70M13P1SA4050.8	CD70M13P1SA4055.0						
						CD70M13P1SA4057.0	CD70M13P1SA4060.3						
						CD70M13P1SA4063.5	CD70M13P1SA4065.0						
						CD70M13P1SA4070.0							

Metal + Kaplama Tipi		Gövde Malzemesi	
Metal + Surface Finishing		Clamp Body Material	
0	Kaplamasız / Uncoated	A	Alüminyum / Aluminum
1	Fosfat / Phosphated / Fe/Znph	N	Polyamid / Polyamide
3	Galvaniz / Galvanized / Fe/Zn 8C Cr3-B	T	TPE
4	CrNi 304 AISI 304	P	Polipropilen / Polypropylene
6	CrNi 316 AISI 316		
9	Çinko Nikel / Zinc Nickel / Fe/ZnNi		

Farklı malzeme talepleriniz için lütfen LMC Makina'ya danışınız.

For different material request please consult LMC Makina.



Metel + Kaplama Tipi Metal + Surface Finishing Clamp Body Material	Gövde Malzemesi Clamp Body Material	Gövde Renk Clamp Body Colour	Grup Group	Ölçü Size
C	M	6	1	M
1	3	P	1	S
A	1	X	X	X
.	X			

Grup	Dış Çap (ØD)	Anma Çapı (R) Boru Dış	Dış Çap (ØD)
Group	O.D. of Pipe / Tube / Hose mm	Nominal Bore Pipe inch	O.D. of Pipe / Tube / Hose inch
A5	65		
	70		
	73	R 2 1/2 <small>except DIN EN 10220</small>	2 7/8
	76.1	R 2 1/2 <small>only DIN EN 10220</small>	3
	80		
	82.5		3 1/4
A6	88.9	R 3	3 1/2
	88.9	R 3	3 1/2
	100		
	101.6	R 3 1/2	
	108		4 1/4
	114.3	R 4	5
A7	127		5 1/4
	133		5 1/4
	139.7	R 5	
	152.4		6
	159		6 1/4
	165		6 1/2
A8	168.3	R 6	
	177.8		7
	193.7		7 5/8
	216		8 1/2
	219.1	R 8	
	219.1	R 8	
A9	244.5		
	273	R 10	
	323.9	R 12	
A10	355.6	R 14	
	406.4	R 16	

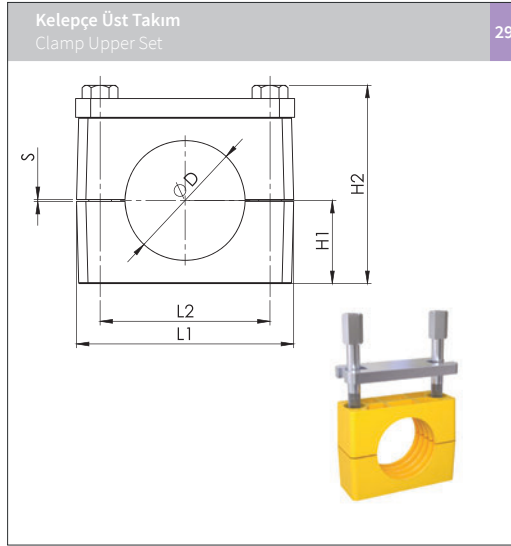
Ölçü Tablosu							Sipariş Kodu
Dimension Table							Order Code
L1	L2	H1	H2	S min.	Genişlik Width		
238	122	70	150	2	120	CM61M13P1SA5065.0 CM61M13P1SA5070.0 CM61M13P1SA5073.0 CM61M13P1SA5076.1 CM61M13P1SA5080.0 CM61M13P1SA5082.5 CM61M13P1SA5088.9	
309	168	99	211	2	160	CM61M13P1SA6088.9 CM61M13P1SA6100.0 CM61M13P1SA6101.6 CM61M13P1SA6108.0 CM61M13P1SA6114.3 CM61M13P1SA6127.0 CM61M13P1SA6133.0	
370	205	115	245	3	182	CM61M13P1SA7133.0 CM61M13P1SA7139.7 CM61M13P1SA7152.4 CM61M13P1SA7159.0 CM61M13P1SA7165.0 CM61M13P1SA7168.3	
440	265	160	339	3	240	CM61M13P1SA8168.3 CM61M13P1SA8177.8 CM61M13P1SA8193.7 CM61M13P1SA8216.0 CM61M13P1SA8219.1	
590	395	235	489	8	354	CM61M13P1SA9219.1 CM61M13P1SA9244.5 CM61M13P1SA9273.0 CM61M13P1SA9323.9	
750	534	295	609	18	364	CM61M13P1SA0355.6 CM61M13P1SA0406.4	



Metal + Kaplama Tipi		Gövde Malzemesi	
Metal + Surface Finishing		Clamp Body Material	
0	Kaplamasız / Uncoated	A	Alüminyum / Aluminum
1	Fosfat / Phosphated / Fe/Znph	N	Polyamid / Polyamide
3	Galvaniz / Galvanized / Fe/Zn 8C Cr3-B	T	TPE
4	CrNi 304 AISI 304	P	Polipropilen / Polypropylene
6	CrNi 316 AISI 316		
9	Çinko Nikel / Zinc Nickel Fe/ZnNi		

Farklı malzeme talepleriniz için lütfen
LMC Makina'ya danışınız.

For different material request please consult
LMC Makina.



C	D	a	a	M	6	3	P	1	S	A	1	X	X	X	.	X

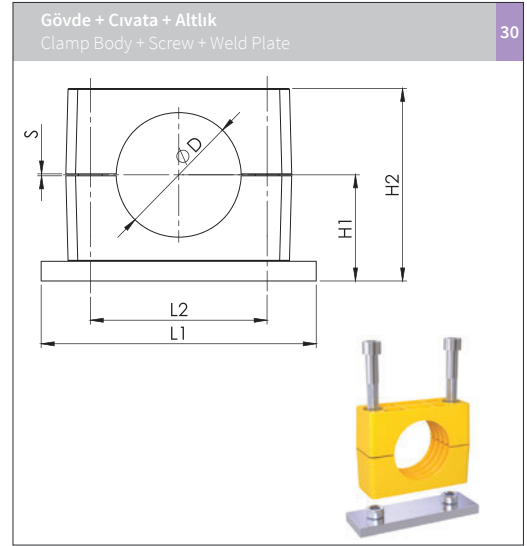
Metal + Kaplama Tipi
Metal + Surface Finishing

Gövde Malzemesi
Clamp Body Material

Gövde Renk
Clamp Body Colour

Grup
Group

Ölçü
Size



C	M	0	M	0	3	P	1	S	A	1	X	X	X	.	X

Metal + Kaplama Tipi
Metal + Surface Finishing

Gövde Malzemesi
Clamp Body Material

Gövde Renk
Clamp Body Colour

Grup
Group

Ölçü
Size

Grup	Dış Çap (ØD)	Anma Çapı (R) Boru Diş	Dış Çap (ØD)
Group	O.D. of Pipe / Tube/Hose mm	Nominal Bore Pipe Inch	O.D. of Pipe / Tube/Hose Inch
A1	6		
	6.4		1/4
	8		5/16
	9.5		3/8
	10	R 1/8	
	12		
	12.7		1/2
	13.5	R 1/4	
	14		
	15		
A2	16		5/8
	17.2	R 3/8	
	18		
	19		3/4
	20		
	21.3	R 1/2	
	22		7/8
25		1	
25.4			
A3	26.9	R 3/4	
	28		
	30		
	30		1 1/4
	32		
	33.7	R 1	
A4	35		1 1/2
	38		
	40		
	42	R 1 1/4	
	38		1 1/2
	42		
	44.5		1 3/4
	48.3	R 1 1/2	
50.8		2	
55			
57		2 1/4	
60.3	R 2		
63.5		2 1/2	
65			
70		2 3/4	

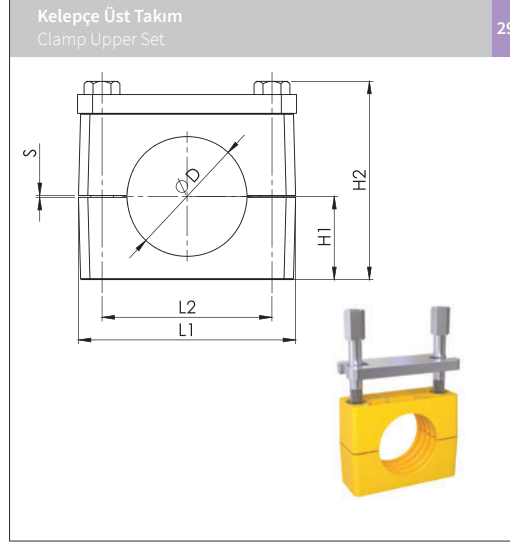
Ölçü Tablosu							Sipariş Kodu	
Dimension Table							Order Code	
L1	L2	H1	H2	S min.	Genişlik Width			
							CDaaM63P1SA1006.0	
							CDaaM63P1SA1006.4	
							CDaaM63P1SA1008.0	
							CDaaM63P1SA1009.5	
							CDaaM63P1SA1010.0	
							CDaaM63P1SA1012.0	
55	33	16	47	0.6	30		CDaaM63P1SA1012.7	
							CDaaM63P1SA1013.5	
							CDaaM63P1SA1014.0	
							CDaaM63P1SA1015.0	
							CDaaM63P1SA1016.0	
							CDaaM63P1SA1017.2	
							CDaaM63P1SA1018.0	
							CDaaM63P1SA2019.0	
							CDaaM63P1SA2020.0	
							CDaaM63P1SA2021.3	
							CDaaM63P1SA2022.0	
70	45	24	63	0.6	30		CDaaM63P1SA2025.0	
							CDaaM63P1SA2025.4	
							CDaaM63P1SA2026.9	
							CDaaM63P1SA2028.0	
							CDaaM63P1SA2030.0	
							CDaaM63P1SA3030.0	
							CDaaM63P1SA3032.0	
							CDaaM63P1SA3033.7	
85	60	30	75	0.6	30		CDaaM63P1SA3035.0	
							CDaaM63P1SA3038.0	
							CDaaM63P1SA3040.0	
							CDaaM63P1SA3042.0	
							CDaaM63P1SA4038.0	
							CDaaM63P1SA4042.0	
							CDaaM63P1SA4044.5	
							CDaaM63P1SA4048.3	
							CDaaM63P1SA4050.8	
115	90	44.5	107	2	45		CDaaM63P1SA4055.0	
							CDaaM63P1SA4057.0	
							CDaaM63P1SA4060.3	
							CDaaM63P1SA4063.5	
							CDaaM63P1SA4065.0	
							CDaaM63P1SA4070.0	

Ölçü Tablosu							Sipariş Kodu	
Dimension Table							Order Code	
L1	L2	H1	H2	S min.	Genişlik Width			
							CM00M03P1SA1006.0	
							CM00M03P1SA1006.4	
							CM00M03P1SA1008.0	
							CM00M03P1SA1009.5	
							CM00M03P1SA1010.0	
							CM00M03P1SA1012.0	
55	33	24	40	0.6	30		CM00M03P1SA1012.7	
							CM00M03P1SA1013.5	
							CM00M03P1SA1014.0	
							CM00M03P1SA1015.0	
							CM00M03P1SA1016.0	
							CM00M03P1SA1017.2	
							CM00M03P1SA1018.0	
							CM00M03P1SA2019.0	
							CM00M03P1SA2020.0	
							CM00M03P1SA2021.3	
							CM00M03P1SA2022.0	
70	45	32	56	0.6	30		CM00M03P1SA2025.0	
							CM00M03P1SA2025.4	
							CM00M03P1SA2026.9	
							CM00M03P1SA2028.0	
							CM00M03P1SA2030.0	
							CM00M03P1SA3030.0	
							CM00M03P1SA3032.0	
							CM00M03P1SA3033.7	
85	60	38	68	0.6	30		CM00M03P1SA3035.0	
							CM00M03P1SA3038.0	
							CM00M03P1SA3040.0	
							CM00M03P1SA3042.0	
							CM00M03P1SA4038.0	
							CM00M03P1SA4042.0	
							CM00M03P1SA4044.5	
							CM00M03P1SA4048.3	
							CM00M03P1SA4050.8	
115	90	54.5	99	2	45		CM00M03P1SA4055.0	
							CM00M03P1SA4057.0	
							CM00M03P1SA4060.3	
							CM00M03P1SA4063.5	
							CM00M03P1SA4065.0	
							CM00M03P1SA4070.0	

Metal + Kaplama Tipi		Gövde Malzemesi	
Metal + Surface Finishing		Clamp Body Material	
0	Kaplamasız / Uncoated	A	Alüminyum / Aluminum
1	Fosfat / Phosphated / Fe/Znph	N	Polyamid / Polyamide
3	Galvaniz / Galvanized / Fe/Zn 8C Cr3-B	T	TPE
4	CrNi 304 AISI 304	P	Polipropilen / Polypropylene
6	CrNi 316 AISI 316		
9	Çinko Nikel / Zinc Nickel / Fe/ZnNi		

Farklı malzeme talepleriniz için lütfen LMC Makina'ya danışınız.

For different material request please consult LMC Makina.



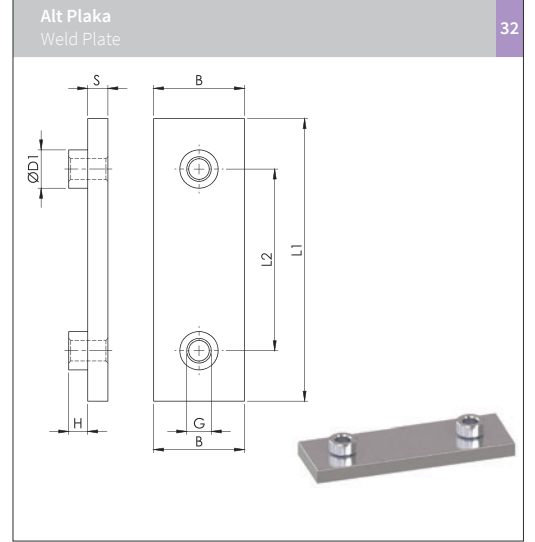
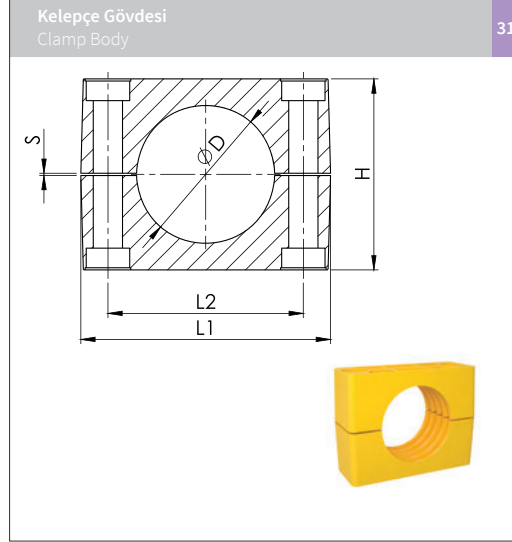
CDaaM63P1SA1XXX.X
<p>Metel + Kaplama Tipi Metal + Surface Finishing</p> <p>Gövde Malzemesi Clamp Body Material</p> <p>Gövde Renk Clamp Body Colour</p> <p>Grup Group</p> <p>Ölçü Size</p>

Grup	Dış Çap (ØD)	Anma Çapı (R) Boru Dış	Dış Çap (ØD)
Group	O.D. of Pipe / Tube / Hose mm	Nominal Bore Pipe inch	O.D. of Pipe / Tube / Hose inch
A5	65		
	70		
	73	R 2 1/2 <small>except DIN EN 10220</small>	2 7/8
	76.1	R 2 1/2 <small>only DIN EN 10220</small>	3
	80		
	82.5		3 1/4
A6	88.9	R 3	3 1/2
	88.9	R 3	3 1/2
	100		
	101.6	R 3 1/2	
	108		4 1/4
	114.3	R 4	
A7	127		5
	133		5 1/4
	133		
	139.7	R 5	
	152.4		6
	159		6 1/4
A8	165		6 1/2
	168.3	R 6	
	168.3	R 6	
	177.8		7
	193.7		7 5/8
	216		8 1/2
A9	219.1	R 8	
	219.1	R 8	
	244.5		
	273	R 10	
	323.9	R 12	
	A10	355.6	R 14
406.4		R 16	

Ölçü Tablosu							Sipariş Kodu
Dimension Table							Order Code
L1	L2	H1	H2	S min	Genişlik Width		
154	122	60	140	2	60	CDaaM63P1SA5065.0 CDaaM63P1SA5070.0 CDaaM63P1SA5073.0 CDaaM63P1SA5076.1 CDaaM63P1SA5080.0 CDaaM63P1SA5082.5 CDaaM63P1SA5088.9	
206	168	84	196	2	80	CDaaM63P1SA6088.9 CDaaM63P1SA6100.0 CDaaM63P1SA6101.6 CDaaM63P1SA6108.0 CDaaM63P1SA6114.3 CDaaM63P1SA6127.0 CDaaM63P1SA6133.0	
251	205	100	230	3	90	CDaaM63P1SA7133.0 CDaaM63P1SA7139.7 CDaaM63P1SA7152.4 CDaaM63P1SA7159.0 CDaaM63P1SA7165.0 CDaaM63P1SA7168.3	
335	265	135	314	3	120	CDaaM63P1SA8168.3 CDaaM63P1SA8177.8 CDaaM63P1SA8193.7 CDaaM63P1SA8216.0 CDaaM63P1SA8219.1	
470	395	205	459	8	160	CDaaM63P1SA9219.1 CDaaM63P1SA9244.5 CDaaM63P1SA9273.0 CDaaM63P1SA9323.9	
630	534	265	579	18	180	CDaaM63P1SA0355.6 CDaaM63P1SA0406.4	



Gövde Malzemesi Clamp Body Material	Metal + Kaplama Tipi Metal + Surface Finishing	Vida Tipi Thread Type
A Alüminyum / Aluminum	0 Kaplamasız / Uncoated	C UNC
N Polyamid / Polyamide	1 Fosfat / Phosphated / Fe/Znph	F UNF
T TPE	3 Galvaniz / Galvanized / Fe/Zn 8C Cr3-B	M Metrik / Metric
P Polipropilen / Polypropylene	4 CrNi 304 AISI 304	W Whitworth
	6 CrNi 316 AISI 316	
	9 Çinko Nikel / Zinc Nickel Fe/ZnNi	



Farklı malzeme talepleriniz için lütfen LMC Makina'ya danışınız.

For different material request please consult LMC Makina.

C	2	P	1	S	A	1	X	X	X	.	X
Gövde Malzemesi Clamp Body Material	Gövde Tipi Clamp Body Design	Gövde Renk Clamp Body Colour	Grup Group	Ölçü Size							

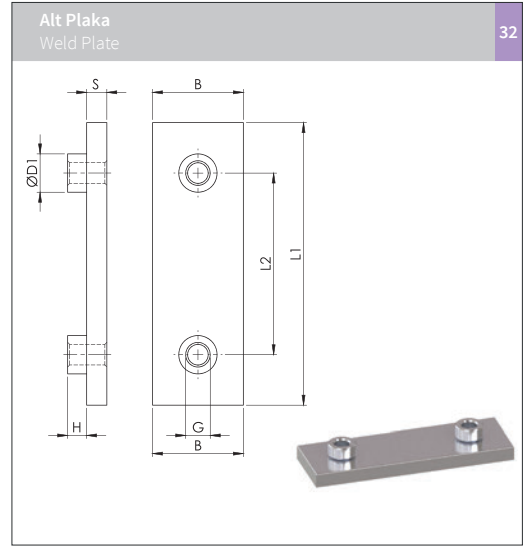
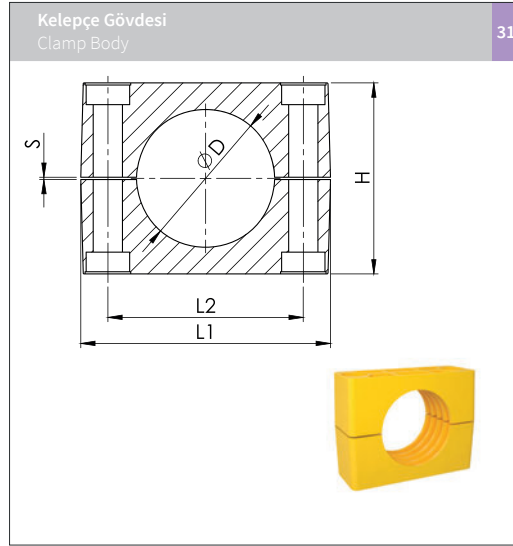
C	A	0	0	M	3	A	1
Vida Tipi Thread Type	Metal + Kaplama Tipi Metal + Surface Finishing	Grup Group					

Grup Group	Dış Çap (ØD) O.D. of Pipe / Tube/Hose mm	Anma Çapı (R) Boru Diş Nominal Bore Pipe inch	Dış Çap (ØD) O.D. of Pipe / Tube/Hose inch
A1	6		
	6.4		1/4
	8		5/16
	9.5		3/8
	10	R 1/8	
	12		
	12.7		1/2
	13.5	R 1/4	
	14		
	15		
16		5/8	
17.2	R 3/8		
18			
A2	19		3/4
	20		
	21.3	R 1/2	
	22		7/8
	25		1
	25.4		
	26.9	R 3/4	
	28		
30			
A3	30		
	32		1 1/4
	33.7	R 1	
	35		
	38		1 1/2
	40		
	42	R 1 1/4	
A4	38		1 1/2
	42		
	44.5		1 3/4
	48.3	R 1 1/2	
	50.8		2
	55		
	57		2 1/4
	60.3	R 2	
	63.5		2 1/2
	65		
70		2 3/4	

Ölçü Tablosu Dimension Table						Sipariş Kodu Order Code	
L1	L2	H	S min.	Genişlik Width			
55	33	32	0.6	30	C2P1SA1006.0		
					C2P1SA1006.4		
					C2P1SA1008.0		
					C2P1SA1009.5		
					C2P1SA1010.0		
					C2P1SA1012.0		
					C2P1SA1012.7		
					C2P1SA1013.5		
					C2P1SA1014.0		
					C2P1SA1015.0		
70	45	48	0.6	30	C2P1SA1016.0		
					C2P1SA1017.2		
					C2P1SA1018.0		
					C2P1SA2019.0		
					C2P1SA2020.0		
					C2P1SA2021.3		
					C2P1SA2022.0		
					C2P1SA2025.0		
C2P1SA2025.4							
85	60	50	0.6	30	C2P1SA2026.9		
					C2P1SA2028.0		
					C2P1SA2030.0		
					C2P1SA3030.0		
					C2P1SA3032.0		
					C2P1SA3033.7		
					C2P1SA3035.0		
115	90	89	2	45	C2P1SA3038.0		
					C2P1SA3040.0		
					C2P1SA3042.0		
					C2P1SA4038.0		
					C2P1SA4042.0		
					C2P1SA4044.5		
					C2P1SA4048.3		
					C2P1SA4050.8		
					C2P1SA4055.0		
					C2P1SA4057.0		
140	90	89	2	45	C2P1SA4060.3		
					C2P1SA4063.5		
					C2P1SA4065.0		
					C2P1SA4070.0		

Ölçü Tablosu Dimension Table								Sipariş Kodu Order Code	
L1	L2	H	S	G	B	ØD1			
74	33	8	8	M10 3/8-16 UNC	30	18			CA00M3A1
86	45	8	8	M10 3/8-16 UNC	30	18			CA00M3A2
100	60	8	8	M10 3/8-16 UNC	30	18			CA00M3A3
140	90	8	10	M12 7/16-14 UNC	45	20			CA00M3A4

Gövde Malzemesi Clamp Body Material	Metal + Kaplama Tipi Metal + Surface Finishing	Vida Tipi Thread Type
A Alüminyum / Aluminum	0 Kaplamasız / Uncoated	C UNC
N Polyamid / Polyamide	1 Fosfat / Phosphated / Fe/Znph	F UNF
T TPE	3 Galvaniz / Galvanized / Fe/Zn 8C Cr3-B	M Metrik / Metric
P Polipropilen / Polypropylene	4 CrNi 304 AISI 304	W Whitworth
	6 CrNi 316 AISI 316	
	9 Çinko Nikel / Zinc Nickel Fe/ZnNi	



Farklı malzeme talepleriniz için lütfen LMC Makina'ya danışınız.

For different material request please consult LMC Makina.

C	2	P	1	S	A	1	X	X	X	.	X
		Gövde Malzemesi Clamp Body Material	Gövde Tipi Clamp Body Design	Gövde Renk Clamp Body Colour	Grup Group						Ölçü Size

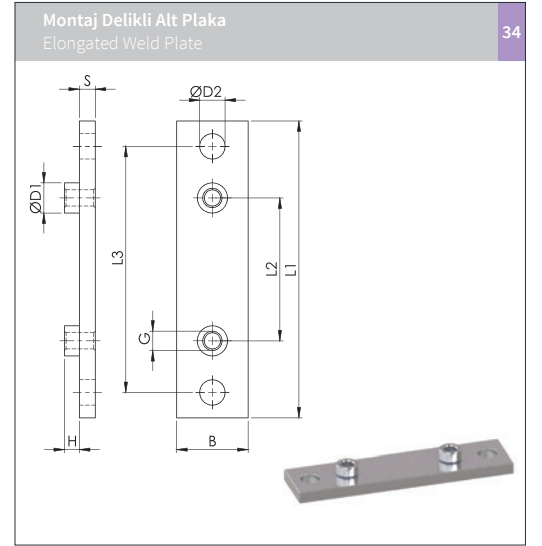
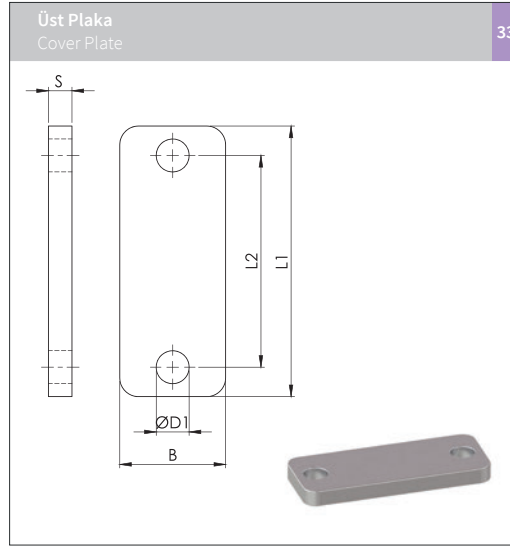
C	A	0	0	M	3	A	1
				Vida Tipi Thread Type		Metal + Kaplama Tipi Metal + Surface Finishing	Grup Group

Grup Group	Dış Çap (ØD) O.D. of Pipe / Tube/Hose mm	Anma Çapı (R) Boru Diş Nominal Bore Pipe inch	Dış Çap (ØD) O.D. of Pipe / Tube/Hose inch
A5	65		
	70		
	73	R 2 1/2 <small>except DIN EN 10220</small>	2 7/8
	76.1	R 2 1/2 <small>only DIN EN 10220</small>	3
	80		
	82.5		3 1/4
A6	88.9	R 3	3 1/2
	100		
	101.6	R 3 1/2	
	108		4 1/4
	114.3	R 4	
	127		5
A7	133		5 1/4
	139.7	R 5	
	152.4		6
	159		6 1/4
	165		6 1/2
	168.3	R 6	
A8	168.3	R 6	
	177.8		7
	193.7		7 5/8
	216		8 1/2
	219.1	R 8	
	219.1	R 8	
A9	244.5		
	273	R 10	
	323.9	R 12	
	355.6	R 14	
A10	406.4	R 16	

Ölçü Tablosu Dimension Table						Sipariş Kodu Order Code	
L1	L2	H	S min.	Genişlik Width			
154	122	120	2	60		C2P1SA5065.0	
						C2P1SA5070.0	
						C2P1SA5073.0	
						C2P1SA5076.1	
						C2P1SA5080.0	
						C2P1SA5082.5	
206	168	168	2	80		C2P1SA5088.9	
						C2P1SA6088.9	
						C2P1SA6100.0	
						C2P1SA6101.6	
						C2P1SA6108.0	
						C2P1SA6114.3	
251	205	200	3	91		C2P1SA6127.0	
						C2P1SA6133.0	
						C2P1SA7133.0	
						C2P1SA7139.7	
						C2P1SA7152.4	
						C2P1SA7159.0	
335	265	270	3	120		C2P1SA7165.0	
						C2P1SA7168.3	
						C2P1SA8168.3	
						C2P1SA8177.8	
						C2P1SA8193.7	
						C2P1SA8216.0	
470	395	410	8	162		C2P1SA8219.1	
						C2P1SA9219.1	
						C2P1SA9244.5	
						C2P1SA9273.0	
630	534	530	18	182		C2P1SA9323.9	
						C2P1SA0355.6	
						C2P1SA0406.4	

Ölçü Tablosu Dimension Table								Sipariş Kodu Order Code	
L1	L2	H	S	G	B	ØD1			
180	122	12	10	M16 5/8-11 UNC	60	24		CA00M3A5	
226	168	18	15	M20 3/4-10 UNC	80	30		CA00M3A6	
270	205	21	15	M24 7/8-9 UNC	90	35		CA00M3A7	
340	265	21	25	M30 1-1/8-7 UNC	120	45		CA00M3A8	
520	395	38	30	M30 1-1/8-7 UNC	160	50		CA00M3A9	
680	534	38	30	M30 1-1/8-7 UNC	180	50		CA00M3A0	

Metal + Kaplama Tipi		Vida Tipi	
Metal + Surface Finishing		Thread Type	
0	Kaplanmasız / Uncoated	C	UNC
1	Fosfat / Phosphated / Fe/Znph	F	UNF
3	Galvaniz / Galvanized / Fe/Zn 8C Cr3-B	M	Metrik / Metric
4	CrNi 304 AISI 304	W	Whitworth
6	CrNi 316 AISI 316		
9	Çinko Nikel / Zinc Nickel Fe/ZnNi		



Farklı malzeme talepleriniz için lütfen
LMC Makina'ya danışınız.

For different material request please consult
LMC Makina.

C	U	0	0	T	3	A	1
					▼ Metal + Kaplama Tipi Metal + Surface Finishing		▼ Grup Group

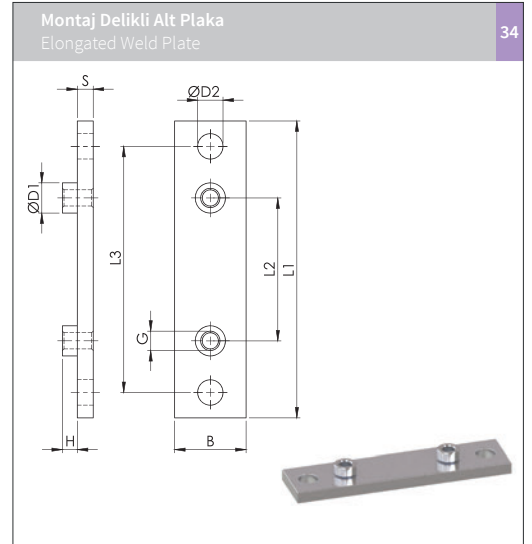
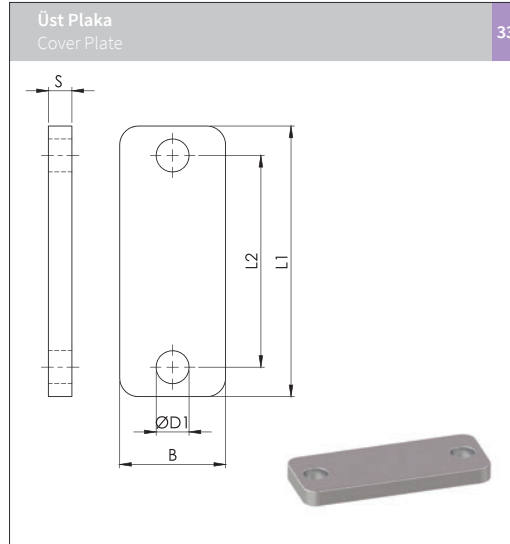
C	A	0	1	M	3	A	1
				▼ Vida Tipi Thread type	▼ Metal + Kaplama Tipi Metal + Surface Finishing		▼ Grup Group

Grup	Dış Çap (ØD)	Anma Çapı (R) Boru Diş	Dış Çap (ØD)
Group	O.D. of Pipe / Tube/Hose mm	Nominal Bore Pipe inch	O.D. of Pipe / Tube/Hose inch
A1	6		
	6.4		1/4
	8		5/16
	9.5		3/8
	10	R 1/8	
	12		
	12.7		1/2
	13.5	R 1/4	
	14		
	15		
16		5/8	
17.2	R 3/8		
18			
A2	19		3/4
	20		
	21.3	R 1/2	
	22		7/8
	25		1
	25.4		
	26.9	R 3/4	
	28		
30			
A3	30		
	32		1 1/4
	33.7	R 1	
	35		
	38		1 1/2
	40		
42	R 1 1/4		
A4	38		1 1/2
	42		
	44.5		1 3/4
	48.3	R 1 1/2	
	50.8		2
	55		
	57		2 1/4
	60.3	R 2	
	63.5		2 1/2
	65		
70		2 3/4	

Ölçü Tablosu					Sipariş Kodu
Dimension Table					Order Code
L1	L2	B	S	ØD1	
55	33	30	8	11	CU00T3A1
70	45	30	8	11	CU00T3A2
85	60	30	8	11	CU00T3A3
115	90	45	10	14	CU00T3A4

Ölçü Tablosu								Sipariş Kodu	
Dimension Table								Order Code	
L1	L2	L3	H	S	G	B	ØD1	ØD2	
113	33	85	8	8	M10 3/8-16 UNC	30	18	13	CA01M3A1
125	45	97	8	8	M10 3/8-16 UNC	30	18	13	CA01M3A2
140	60	112	8	8	M10 3/8-16 UNC	30	18	13	CA01M3A3
187	90	155	8	10	M12 7/16-14 UNC	45	20	16	CA01M3A4

Metal + Kaplama Tipi		Vida Tipi	
Metal + Surface Finishing		Thread Type	
0	Kaplamasız / Uncoated	C	UNC
1	Fosfat / Phosphated / Fe/Znph	F	UNF
3	Galvaniz / Galvanized / Fe/Zn 8C Cr3-B	M	Metrik / Metric
4	CrNi 304 AISI 304	W	Whitworth
6	CrNi 316 AISI 316		
9	Çinko Nikel / Zinc Nickel / Fe/ZnNi		



Farklı malzeme talepleriniz için lütfen LMC Makina'ya danışınız.

For different material request please consult LMC Makina.

C	U	0	0	T	3	A	1
					▼	▼	▼
					Metal + Kaplama Tipi Metal + Surface Finishing	Grup Group	

C	A	0	1	M	3	A	1
				▼	▼	▼	▼
				Vida Tipi Thread Type	Metal + Kaplama Tipi Metal + Surface Finishing	Grup Group	

Grup	Dış Çap (ØD)	Anma Çapı (R) Boru Dış	Dış Çap (ØD)
Group	O.D. of Pipe / Tube/Hose mm	Nominal Bore Pipe inch	O.D. of Pipe / Tube/Hose inch
A5	65		
	70		
	73	R 2 1/2 <small>except DIN EN 10220 only</small>	2 7/8
	76.1	R 2 1/2 <small>only DIN EN 10220</small>	3
	80		
	82.5		3 1/4
A6	88.9	R 3	3 1/2
	100		
	101.6	R 3 1/2	
	108		4 1/4
	114.3	R 4	
	127		5
A7	133		5 1/4
	139.7	R 5	
	152.4		6
	159		6 1/4
	165		6 1/2
	168.3	R 6	
A8	168.3	R 6	
	177.8		7
	193.7		7 5/8
	216		8 1/2
	219.1	R 8	
	219.1	R 8	
A9	244.5		
	273	R 10	
	323.9	R 12	
A10	355.6	R 14	
	406.4	R 16	

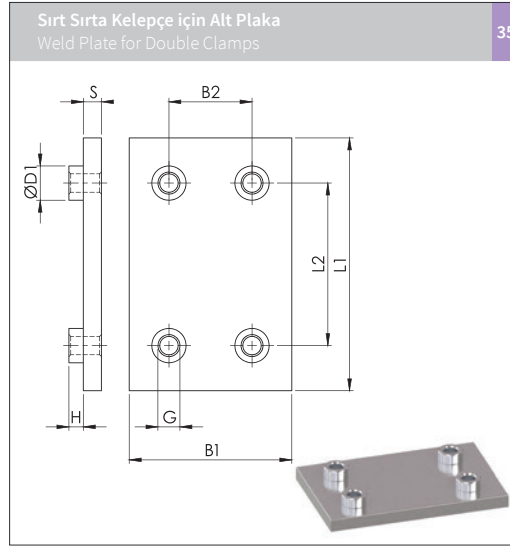
Ölçü Tablosu					Sipariş Kodu
Dimension Table					Order Code
L1	L2	B	S	ØD1	
152	122	60	10	19	CU00T3A5
206	168	80	15	22	CU00T3A6
251	205	90	15	26	CU00T3A7
340	265	120	25	35	CU00T3A8
470	395	160	30	35	CU00T3A9
630	534	180	30	35	CU00T3A0

Ölçü Tablosu										Sipariş Kodu
Dimension Table										Order Code
L1	L2	L3	H	S	G	B	ØD1	ØD2		
238	122	198	12	10	M16 5/8-11 UNC	60	24	21		CA01M3A5
309	168	259	18	15	M20 3/4-10 UNC	80	30	26		CA01M3A6
370	205	310	21	15	M24 7/8-9 UNC	90	35	31		CA01M3A7
440	265	380	21	25	M30 1-1/8-7 UNC	120	45	31		CA01M3A8
590	395	530	38	30	M30 1-1/8-7 UNC	160	50	31		CA01M3A9
750	534	690	38	30	M30 1-1/8-7 UNC	180	50	31		CA01M3A0

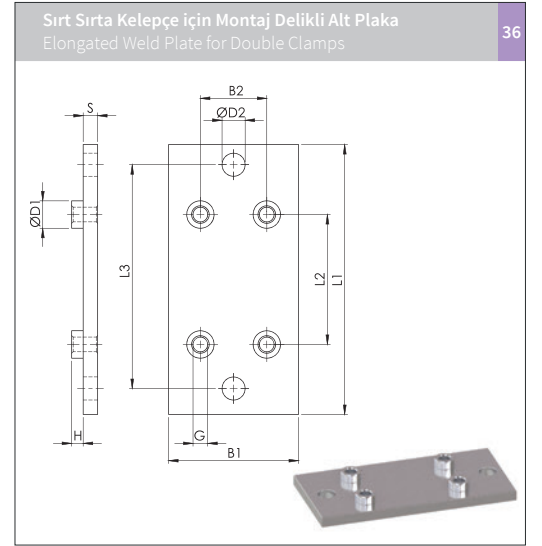
Metal + Kaplama Tipi		Vida Tipi	
Metal + Surface Finishing		Thread Type	
0	Kaplanmasız / Uncoated	C	UNC
1	Fosfat / Phosphated / Fe/Znph	F	UNF
3	Galvaniz / Galvanized / Fe/Zn 8C Cr3-B	M	Metrik / Metric
4	CrNi 304 AISI 304	W	Whitworth
6	CrNi 316 AISI 316		
9	Çinko Nikel / Zinc Nickel Fe/ZnNi		

Farklı malzeme talepleriniz için lütfen
LMC Makina'ya danışınız.

For different material request please consult
LMC Makina.



C	A	2	0	M	3	A	1
				Vida Tipi Thread Type	Metal + Kaplama Tipi Metal + Surface Finishing		Grup Group



C	A	2	1	M	3	A	1
				Vida Tipi Thread Type	Metal + Kaplama Tipi Metal + Surface Finishing		Grup Group

Grup	Dış Çap (ØD)	Anma Çapı (R) Boru Diş	Dış Çap (ØD)
Group	O.D. of Pipe / Tube/Hose mm	Nominal Bore Pipe Inch	O.D. of Pipe / Tube/Hose inch
A1	6		
	6.4		1/4
	8		5/16
	9.5		3/8
	10	R 1/8	
	12		
	12.7		1/2
	13.5	R 1/4	
	14		
	15		
16		5/8	
17.2	R 3/8		
18			
A2	19		3/4
	20		
	21.3	R 1/2	
	22		7/8
	25		1
	25.4		
	26.9	R 3/4	
	28		
30			
A3	30		1 1/4
	32		
	33.7	R 1	
	35		1 1/2
	38		
	42	R 1 1/4	
A4	38		1 1/2
	42		
	44.5		1 3/4
	48.3	R 1 1/2	
	50.8		2
	55		
	57		2 1/4
	60.3	R 2	
	63.5		2 1/2
	65		
70		2 3/4	

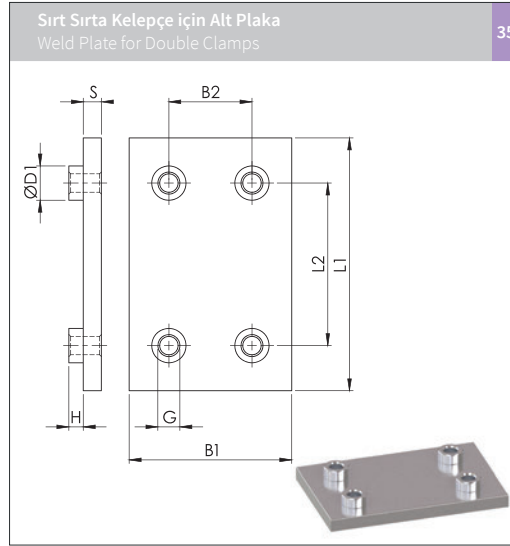
Ölçü Tablosu								Sipariş Kodu
Dimension Table								Order Code
L1	L2	B1	B2	H	S	G	ØD1	
74	33	60	31	8	8	M10 3/8-16 UNC	18	CA20M3A1
86	45	60	31	8	8	M10 3/8-16 UNC	18	CA20M3A2
100	60	60	31	8	8	M10 3/8-16 UNC	18	CA20M3A3
140	90	90	46	8	10	M12 7/16-14 UNC	20	CA20M3A4

Ölçü Tablosu											Sipariş Kodu
Dimension Table											Order Code
L1	L2	L3	B1	B2	H	S	G	ØD1	ØD2		
113	33	85	60	31	8	8	M10 3/8-16 UNC	18	13	CA01M3A1	
125	45	97	60	31	8	8	M10 3/8-16 UNC	18	13	CA01M3A2	
140	60	112	60	31	8	8	M10 3/8-16 UNC	18	13	CA01M3A3	
187	90	155	90	46	8	10	M12 7/16-14 UNC	20	16	CA01M3A4	

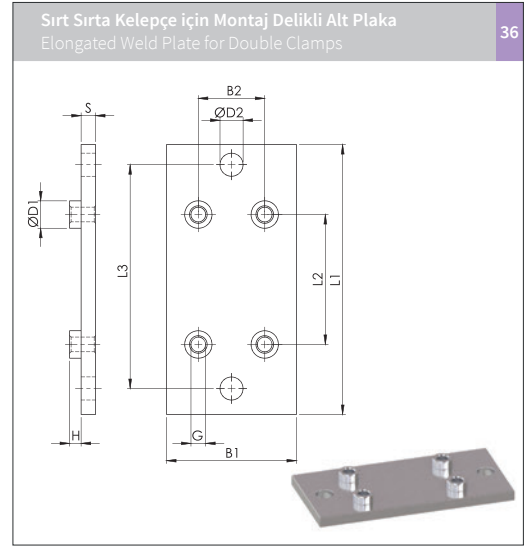
Metal + Kaplama Tipi		Vida Tipi	
Metal + Surface Finishing		Thread Type	
0	Kaplamasız / Uncoated	C	UNC
1	Fosfat / Phosphated / Fe/Znph	F	UNF
3	Galvaniz / Galvanized / Fe/Zn 8C Cr3-B	M	Metrik / Metric
4	CrNi 304 AISI 304	W	Whitworth
6	CrNi 316 AISI 316		
9	Çinko Nikel / Zinc Nickel Fe/ZnNi		

Farklı malzeme talepleriniz için lütfen LMC Makina'ya danışınız.

For different material request please consult LMC Makina.



C	A	2	0	M	3	A	1
				Vida Tipi Thread type		Metal + Kaplama Tipi Metal + Surface Finishing	Grup Group



C	A	2	1	M	3	A	1
				Vida Tipi Thread type		Metal + Kaplama Tipi Metal + Surface Finishing	Grup Group

Grup	Dış Çap (ØD)	Anma Çapı (R) Boru Dış	Dış Çap (ØD)
Group	O.D. of Pipe / Tube/Hose mm	Nominal Bore Pipe inch	O.D. of Pipe / Tube/Hose inch
A5	65		
	70		
	73	R 2 1/2 <small>except DIN EN 10220</small>	2 7/8
	76.1	R 2 1/2 <small>only DIN EN 10220</small>	3
	80		
	82.5		3 1/4
A6	88.9	R 3	3 1/2
	100		
	101.6	R 3 1/2	
	108		4 1/4
	114.3	R 4	
	127		5
A7	133		5 1/4
	139.7	R 5	
	152.4		6
	159		6 1/4
	165		6 1/2
	168.3	R 6	
A8	177.8		7
	193.7		7 5/8
	216		8 1/2
	219.1	R 8	
	219.1	R 8	
A9	244.5		
	273	R 10	
	323.9	R 12	
A10	355.6	R 14	
	406.4	R 16	

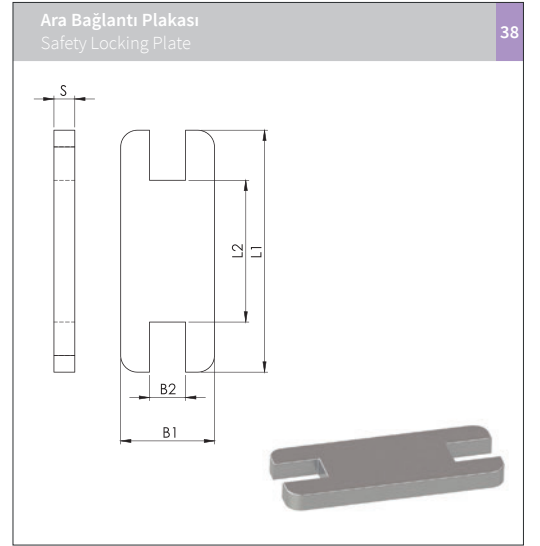
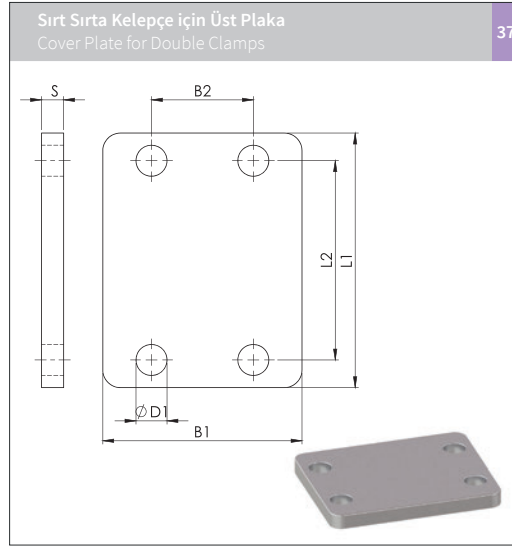
Ölçü Tablosu								Sipariş Kodu
Dimension Table								Order Code
L1	L2	B1	B2	H	S	G	ØD1	
180	122	120	61	12	10	M16 5/8-11 UNC	24	CA20M3A5
226	168	160	81	18	15	M20 3/4-10 UNC	30	CA20M3A6
270	205	182	93	21	15	M24 7/8-9 UNC	35	CA20M3A7
340	265	240	122	21	25	M30 1-1/8-7 UNC	45	CA20M3A8
520	395	324	166	38	30	M30 1-1/8-7 UNC	50	CA20M3A9
680	534	364	186	38	30	M30 1-1/8-7 UNC	50	CA20M3A0

Ölçü Tablosu										Sipariş Kodu
Dimension Table										Order Code
L1	L2	L3	B1	B2	H	S	G	ØD1	ØD2	
238	122	198	120	61	12	10	M16 5/8-11 UNC	24	21	CA01M3A5
309	168	259	160	81	18	15	M20 3/4-10 UNC	30	26	CA01M3A6
370	205	310	182	93	21	15	M24 7/8-9 UNC	35	31	CA01M3A7
440	265	380	240	124	21	25	M30 1-1/8-7 UNC	45	31	CA01M3A8
590	395	530	326	166	38	30	M30 1-1/8-7 UNC	50	31	CA01M3A9
750	534	690	364	186	38	30	M30 1-1/8-7 UNC	50	31	CA01M3A0

Metal + Kaplama Tipi		Vida Tipi	
Metal + Surface Finishing		Thread Type	
0	Kaplanmaz / Uncoated	C	UNC
1	Fosfat / Phosphated / Fe/Znph	F	UNF
3	Galvaniz / Galvanized / Fe/Zn 8C Cr3-B	M	Metrik / Metric
4	CrNi 304 AISI 304	W	Whitworth
6	CrNi 316 AISI 316		
9	Çinko Nikel / Zinc Nickel / Fe/ZnNi		

Farklı malzeme talepleriniz için lütfen LMC Makina'ya danışınız.

For different material request please consult LMC Makina.



C	U	2	0	T	3	A	1

Metal + Kaplama Tipi
Metal + Surface Finishing

Grup
Group

C	H	0	0	T	3	A	1

Metal + Kaplama Tipi
Metal + Surface Finishing

Grup
Group

Grup	Dış Çap (ØD)	Anma Çapı (R) Boru Diş	Dış Çap (ØD)
Group	O.D. of Pipe / Tube/Hose mm	Nominal Bore Pipe inch	O.D. of Pipe / Tube/Hose inch
A1	6		
	6.4		1/4
	8		5/16
	9.5		3/8
	10	R 1/8	
	12		
	12.7		1/2
	13.5	R 1/4	
	14		
	15		
A2	16		5/8
	17.2	R 3/8	
	18		
	19		3/4
	20		
	21.3	R 1/2	
	22		7/8
	25		1
A3	25.4		
	26.9	R 3/4	
	28		
	30		
	32		1 1/4
	33.7	R 1	
A4	35		
	38		1 1/2
	40		
	42	R 1 1/4	
	38		1 1/2
	42		
	44.5		1 3/4
	48.3	R 1 1/2	
50.8		2	
55			
57		2 1/4	
60.3	R 2		
63.5		2 1/2	
65			
70		2 3/4	

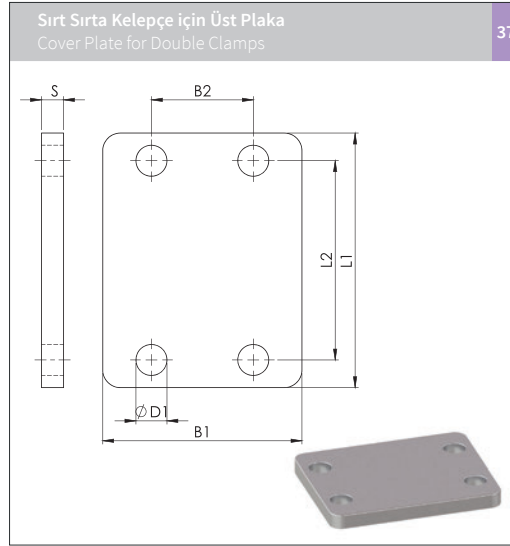
Ölçü Tablosu						Sipariş Kodu
Dimension Table						Order Code
L1	L2	B1	B2	S	ØD1	
55	33	60	31	8	11	CU20T3A1
70	45	60	31	8	11	CU20T3A2
85	60	60	31	8	11	CU20T3A3
115	90	90	46	10	14	CU20T3A4

Ölçü Tablosu					Sipariş Kodu
Dimension Table					Order Code
L1	L2	B1	B2	S	
56	13.5	30	15	8	CH00T3A1
70	25	30	15	8	CH00T3A2
85	40	30	15	8	CH00T3A3
116	68	45	17	10	CH00T3A4

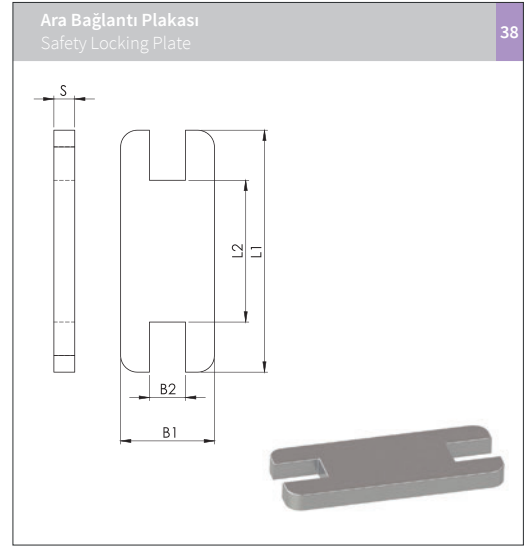
Metal + Kaplama Tipi	
Metal + Surface Finishing	
0	Kaplamasız / Uncoated
1	Fosfat / Phosphated / Fe/Znph
3	Galvaniz / Galvanized / Fe/Zn 8C Cr3-B
4	CrNi 304 / AISI 304
6	CrNi 316 / AISI 316
9	Çinko Nikel / Zinc Nickel - Fe/ZnNi

Farklı malzeme talepleriniz için lütfen LMC Makina'ya danışınız.

For different material request please consult LMC Makina.



C	U	2	0	T	3	A	1
					Metal + Kaplama Tipi Metal + Surface Finishing		Grup Group



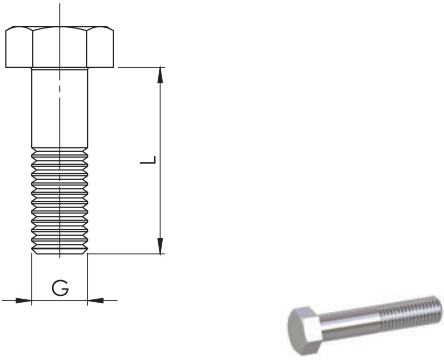
C	H	0	0	T	3	A	1
					Metal + Kaplama Tipi Metal + Surface Finishing		Grup Group

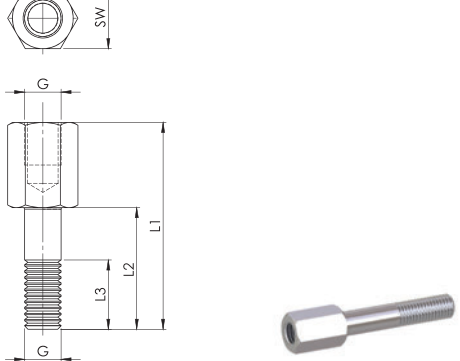
Grup	Dış Çap (ØD)	Anma Çapı (R) Boru Diş	Dış Çap (ØD)
Group	O.D. of Pipe / Tube/Hose mm	Nominal Bore Pipe inch	O.D. of Pipe / Tube/Hose inch
A5	65		
	70		
	73	R 2 1/2 <small>except DIN EN 10220</small>	2 7/8
	76.1	R 2 1/2 <small>only DIN EN 10220</small>	3
	80		
	82.5		3 1/4
A6	88.9	R 3	3 1/2
	100		
	101.6	R 3 1/2	
	108		4 1/4
	114.3	R 4	
	127		5
A7	133		5 1/4
	139.7	R 1 1/2	
	152.4		6
	159		6 1/4
	165		6 1/2
	168.3	R 6	
A8	177.8		7
	193.7		7 5/8
	216		8 1/2
	219.1	R 8	
	219.1	R 8	
	244.5		
A9	273	R 10	
	323.9	R 12	
	355.6	R 14	
A10	406.4	R 16	

Ölçü Tablosu							Sipariş Kodu
Dimension Table							Order Code
L1	L2	B1	B2	S	ØD1		
152	122	120	61	10	19	CU20T3A5	
206	168	160	81	15	22	CU20T3A6	
251	205	182	93	15	26	CU20T3A7	
320	265	240	122	25	35	CU20T3A8	
470	395	324	166	30	35	CU20T3A9	
630	534	364	186	30	35	CU20T3A0	

Ölçü Tablosu						Sipariş Kodu
Dimension Table						Order Code
L1	L2	B1	B2	S		
153	97	60	21	10	CH00T3A5	
206	130	80	27	15	CH00T3A6	
251	166	90	30	15	CH00T3A7	
325	205	120	49	25	CH00T3A8	

Metal + Kaplama Tipi		Vida Tipi	
Metal + Surface Finishing		Thread Type	
0	Kaplamasız / Uncoated	C	UNC
1	Fosfat / Phosphated / Fe/Znph	F	UNF
3	Galvaniz / Galvanized / Fe/Zn 8C Cr3-B	M	Metrik / Metric
4	CrNi 304 AISI 304	W	Whitworth
6	CrNi 316 AISI 316		
9	Çinko Nikel / Zinc Nickel / Fe/ZnNi		

Altıköşe Başlı Cıvata Hexagon Head Bolt		39
DIN 931 / 933 - ISO 4014		
		

Ara Bağlantı Cıvatası Stacking Bolt		40
		

Farklı malzeme talepleriniz için lütfen LMC Makina'ya danışınız.

For different material request please consult LMC Makina.

C	C	A	M	3	0	1	0	0	4	5
			Vida Tipi Thread Type			Vida Ölçüsü Screw-Bolt Size				Cıvata Boyu Screw-Bolt Length

C	C	B	M	3	0	1	0	0	2	4
			Vida Tipi Thread Type			Vida Ölçüsü Screw-Bolt Size				Cıvata Boyu Screw-Bolt Length

Grup	Dış Çap (ØD)	Anma Çapı (R) Boru Diş	Dış Çap (ØD)
Group	O.D. of Pipe / Tube/Hose mm	Nominal Bore Pipe Inch	O.D. of Pipe / Tube/Hose Inch
A1	6		
	6.4		1/4
	8		5/16
	9.5		3/8
	10	R 1/8	
	12		
	12.7		1/2
	13.5	R 1/4	
	14		
	15		
16		5/8	
17.2	R 3/8		
18			
A2	19		3/4
	20		
	21.3	R 1/2	
	22		7/8
	25		1
	25.4		
	26.9	R 3/4	
	28		
30			
A3	30		
	32		1 1/4
	33.7	R 1	
	35		
	38		1 1/2
	40		
42	R 1 1/4		
A4	38		1 1/2
	42		
	44.5		1 3/4
	48.3	R 1 1/2	
	50.8		2
	55		
	57		2 1/4
	60.3	R 2	
	63.5		2 1/2
	65		
70		2 3/4	

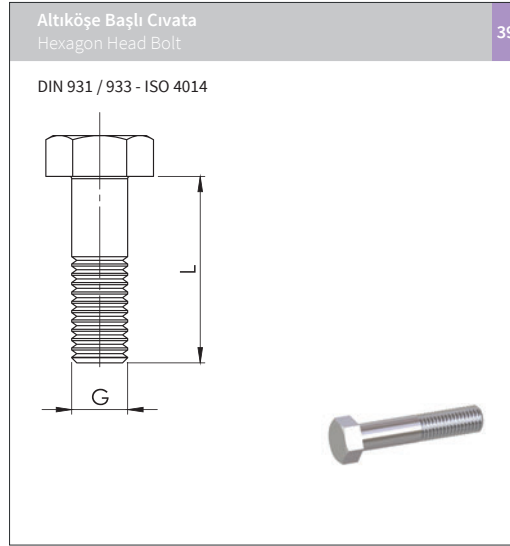
Ölçü Tablosu	Sipariş Kodu
Dimension Table	Order Code
GxL	
M10x45 3/8-16 UNC x 1-3/4	CCAM3010045 CCAC3012045
M10x60 3/8-16 UNC x 2-1/4	CCAM3010060 CCAC3012060
M10x70 3/8-16 UNC x 2-3/4	CCAM3010070 CCAC3012070
M12x100 7/6-14 UNC x 4	CCAM3012100 CCAC3014100

Ölçü Tablosu					Sipariş Kodu
Dimension Table					Order Code
L1	L2	L3 min.	G	SW	
49	24	15	M10 3/8-16 UNC	15	CCBM3010024 CCBC3012024
65	40	15	M10 3/8-16 UNC	15	CCBM3010040 CCBC3012040
74	50	15	M10 3/8-16 UNC	15	CCBM3010050 CCBC3012050
108	81	18	M12 7/16-14 UNC	17	CCBM3012081 CCBC3014081

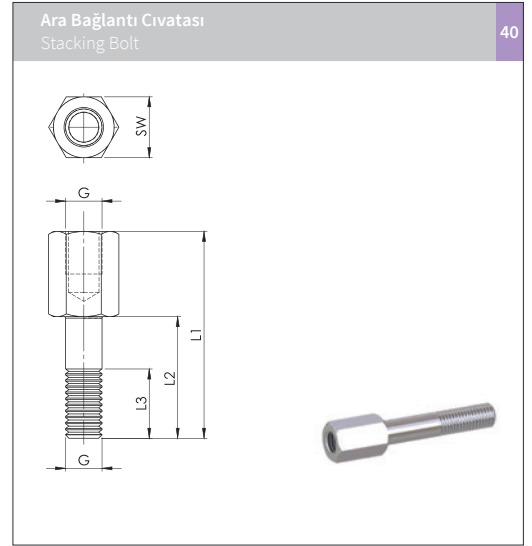
Metal + Kaplama Tipi		Vida Tipi	
Metal + Surface Finishing		Thread Type	
0	Kaplamasız / Uncoated	C	UNC
1	Fosfat / Phosphated / Fe/Znph	F	UNF
3	Galvaniz / Galvanized / Fe/Zn 8C Cr3-B	M	Metrik / Metric
4	CrNi 304 AISI 304	W	Whitworth
6	CrNi 316 AISI 316		
9	Çinko Nikel / Zinc Nickel / Fe/ZnNi		

Farklı malzeme talepleriniz için lütfen LMC Makina'ya danışınız.

For different material request please consult LMC Makina.



C	C	A	M	3	0	1	0	0	4	5
			Vida Tipi Thread Type				Vida Ölçüsü Screw-Bolt Size			Cıvata Boyu Screw-Bolt Length



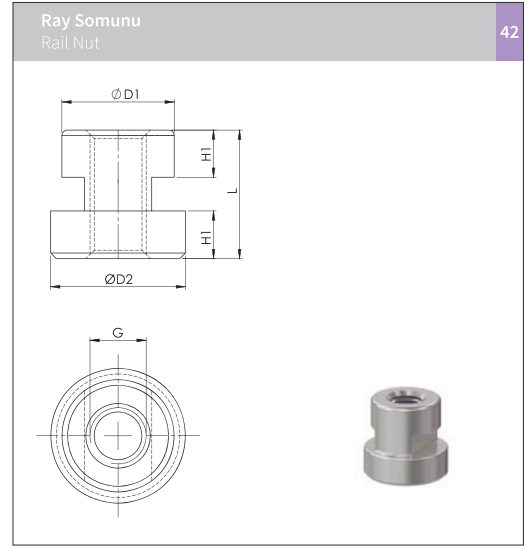
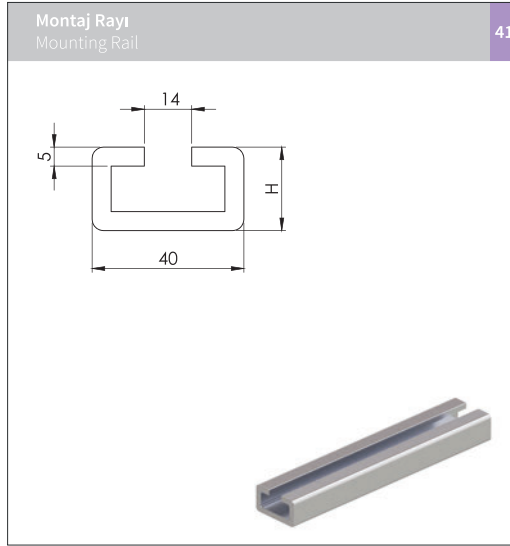
C	C	B	M	3	0	1	0	0	2	4
			Vida Tipi Thread Type				Vida Ölçüsü Screw-Bolt Size			Cıvata Boyu Screw-Bolt Length

Grup	Dış Çap (ØD)	Anma Çapı (R) Boru Diş	Dış Çap (ØD)
Group	O.D. of Pipe / Tube/Hose mm	Nominal Bore Pipe inch	O.D. of Pipe / Tube/Hose inch
A5	65		
	70		
	73	R 2 1/2 <small>except only DIN EN 10220</small>	2 7/8
	76.1	R 2 1/2 <small>only DIN EN 10220</small>	3
	80		
	82.5		3 1/4
A6	88.9	R 3	3 1/2
	100		
	101.6	R 3 1/2	
	108		4 1/4
	114.3	R 4	
	127		5
A7	133		5 1/4
	139.7	R 5	
	152.4		6
	159		6 1/4
	165		6 1/2
	168.3	R 6	
A8	177.8	R 6	
	193.7		7
	216		7 5/8
	219.1		8 1/2
	219.1	R 8	
A9	244.5	R 8	
	273	R 10	
	323.9	R 12	
A10	355.6	R 14	
	406.4	R 16	

Ölçü Tablosu	Sipariş Kodu
Dimension Table	Order Code
GxL	
M16x130 5/8-11 UNC x 5-1/4	CCAM3016130 CCAC3020130
M20x190 3/4-10 UNC x 7-1/2	CCAM3020190 CCAC3024190
M24x220 7/8-9 UNC x 8-3/4	CCAM3024130 CCAC3020130
M30x300 1-1/8-7 UNC x 12	CCAM3030300 CCAC3104300
M30x450 1-1/8-7 UNC x 17-1/2	CCAM3030450 CCAC3104450
M30x560 1-1/8-7 UNC x 22	CCAM3030560 CCAC3104560

Ölçü Tablosu					Sipariş Kodu
Dimension Table					Order Code
L1	L2	L3 min.	G	SW	
144	110	24	M16 5/8-11 UNC	21	CCBM3016110 CCBC3020110
200	151	30	M20 3/4-10 UNC	27	CCBM3020151 CCBC3020151
240	180	50	M24 7/8-9 UNC	30	CCBM3024180 CCBC3020180
331	256	62	M30 1-1/8-7 UNC	46	CCBM3030256 CCBC3104256

Metal + Kaplama Tipi		Vida Tipi	
Metal + Surface Finishing		Thread Type	
0	Kaplamasız / Uncoated	C	UNC
1	Fosfat / Phosphated / Fe/Znph	F	UNF
3	Galvaniz / Galvanized / Fe/Zn 8C Cr3-B	M	Metrik / Metric
4	CrNi 304 / AISI 304	W	Whitworth
6	CrNi 316 / AISI 316		
9	Çinko Nikel / Zinc Nickel / Fe/ZnNi		



Farklı malzeme talepleriniz için lütfen LMC Makina'ya danışınız.

For different material request please consult LMC Makina.

C	R	Y	0	2	2	4	0	1
			▼ Metal + Kaplama Tipi Metal + Surface Finishing			▼ Ölçü Size		▼ Boy Length

C	R	S	2	M	3	0	1	2
			▼ Tip Type	▼ Vida Tipi Thread type	▼ Metal + Kaplama Tipi Metal + Surface Finishing		▼ Vida ölçüsü Screw/Bolt Size	

Grup	Dış Çap (ØD)	Anma Çapı (R) Boru Dış	Dış Çap (ØD)
Group	O.D. of Pipe / Tube/Hose mm	Nominal Bore Pipe inch	O.D. of Pipe / Tube/Hose inch
A1	6		
	6.4		1/4
	8		5/16
	9.5		3/8
	10	R 1/8	
	12		
	12.7		1/2
	13.5	R 1/4	
	14		
	15		
A2	16		5/8
	17.2	R 3/8	
	18		
	19		3/4
	20		
	21.3	R 1/2	
	22		7/8
	25		1
A3	25.4		
	26.9	R 3/4	
	28		
	30		
	32		1 1/4
	33.7	R 1	
A4	35		1 1/2
	38		
	40		1 1/2
	42	R 1 1/4	
	38		1 1/2
	42		
	44.5		1 3/4
	48.3	R 1 1/2	
	50.8		2
	55		2 1/4
57			
60.3	R 2		
63.5		2 1/2	
65			
70		2 3/4	

Ölçü Tablosu		Sipariş Kodu
Dimension Table		Order Code
H	Boy / Length	
22	1 m	CRY022401
	2 m	CRY022402

Ölçü Tablosu					Sipariş Kodu
Dimension Table					Order Code
L	H1	ØD1	ØD2	G	
21	7.5	17.8	24	M10 3/8-16 UNC	CRS2M3010
23	8.5	19.8	24	M12 7/16-14 UNC	CRS2M3012